

POWER dot MINI

- 935-PM50W-GST
- 935-PM50-GST

- A** - Installation into round hole
- B** - Installation into tailored hole

CONTENT:



x1

x1

- 1 Schuko socket
- 1 GST18i3
Cable length according to order (max 1.2 m)



Revised 200214

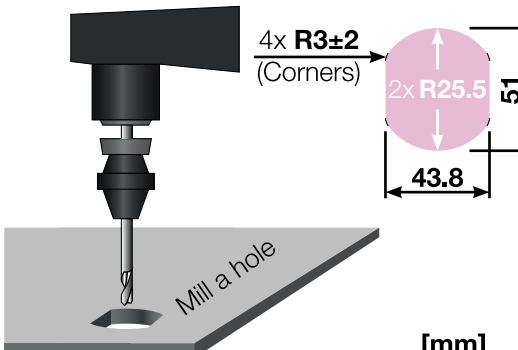
1A DRILL
Drill a hole in the table.



Ø51

Drill a hole

1B MILL
Mill a hole in the table.



4x R3±2 (Corners)

2x R25.5

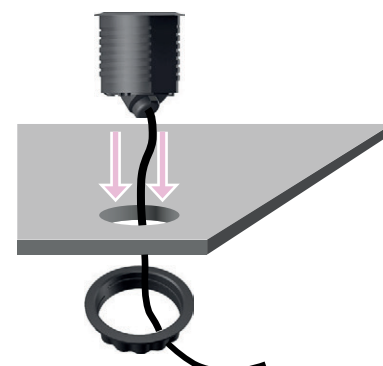
51

43.8

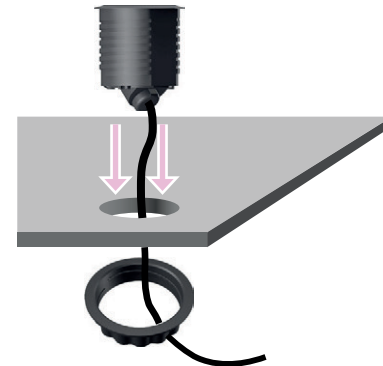
[mm]

Mill a hole

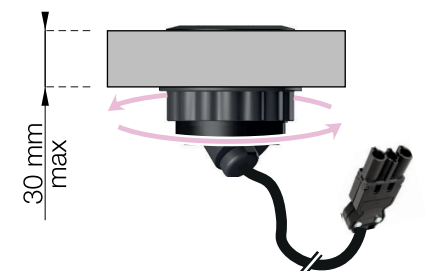
2A INSERT
Insert Powerdot into the hole and feed the power plug through the table and the plastic fastening nut.



2B INSERT
Insert Powerdot into the hole and feed the power plug through the table and the plastic fastening nut.



3A TURN CLOCKWISE & PLUG IN
Turn the plastic fastening nut as far up the thread as possible. Make sure it has been thoroughly tightened. Lastly, connect the GST18i3.



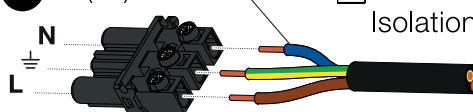
30 mm max

3B TURN CLOCKWISE & PLUG IN
Turn the plastic fastening nut as far up the thread as possible. Make sure it has been thoroughly tightened. Lastly, connect the GST18i3.



30 mm max

i (3x) 1.5 mm² □ Class II Isolation



EN61535