

ALA5TAW

Ultra-Compact, Passive Column Line Array Loudspeaker

*ALA5TAW Front
Shown with Optional
Pole Mount*



*ALA5TAW-B Back
Shown with Optional
Pole Mount*



Features

- Use In Fixed Install or Portable Applications
- 45° Vertical Coverage
- 135° Horizontal Coverage
- 70.7V, 100V or 6Ω Operation
- Five (5) Proprietary 3" (76mm) Full Range Transducers
- Two (2) High Frequency Tweeters
- Barrier Strip and NL-4 Terminals
- Lightweight Aluminum Housing
- IP33C Weather Rating
- EN54-24 Certified
- Available In Black or White Finish
- Wall Mount Bracket Included

Applications

- Challenging Acoustic Spaces
- Architecturally Sensitive Spaces
- Houses of Worship
- Transportation Hubs
- Retail Spaces
- Conference Rooms
- Lecture Theatres
- Gymnasiums
- Convention Centers
- Museums
- Stadium Concourses
- Multipurpose Venues

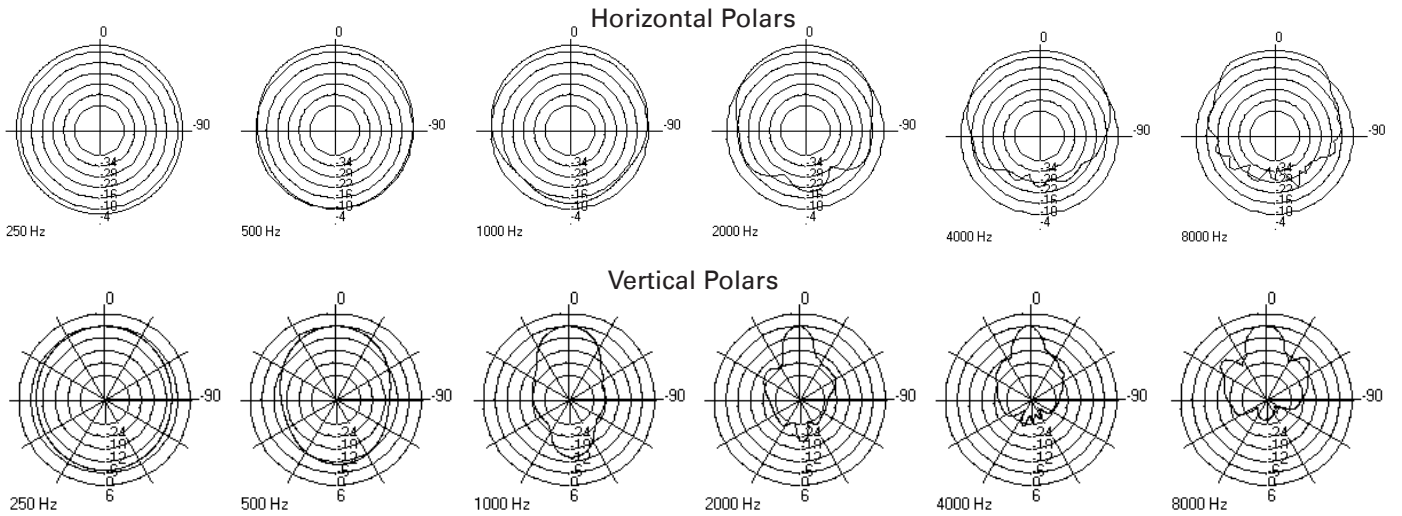
General Description

The EN54-24 certified ultra-compact ALA5TAW column line array loudspeaker delivers maximum performance in a minimum footprint and excels in applications that require excellent speech intelligibility. The ALA5TAW's transducer configuration combines five tight packed 3" (76mm) full range drivers and two 22mm high frequency tweeters in an extruded aluminum housing to offer both durability and optimum sound reproduction. The lightweight and easy to install enclosure has contemporary aesthetics that are a compliment to any environment. The back of the enclosure incorporates vertical channels that accept the included wall mount allowing the installer to slide the mount to the location that provides the desired vertical tilt. An optional pole mount bracket enables the array to be used in applications coupled with a portable A-Line subwoofer system.

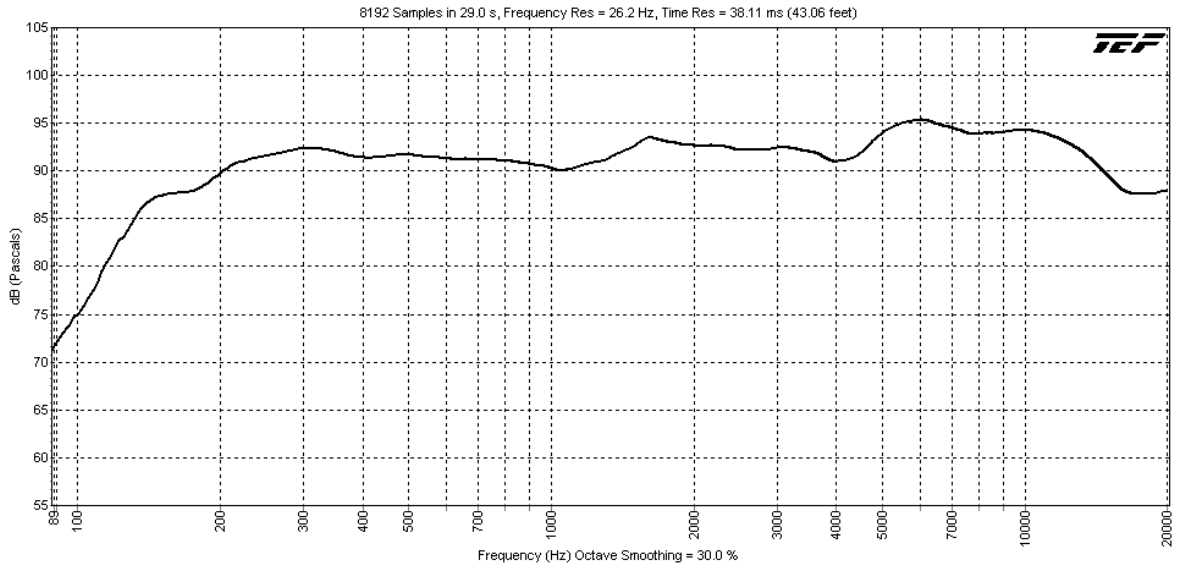
System	
Type	Full Range, Column Loudspeaker
Operation Mode	Non-Powered Passive
Operating Range (-10dB)	125Hz - 20kHz
Frequency Response (+/-5dB)	137Hz - 20kHz
Input Sensitivity @ 1W/1m	92dB
Input Sensitivity @ 1W/4m EN54-24	78dB
Vertical Coverage	45° 800Hz - 4kHz
Horizontal Coverage	135° 800Hz - 4kHz
Max Input Ratings (6Ω)	125W Continuous, 250W Program 27.4V RMS, 38.7V Peak
Transformer Taps - 70.7V	60W (81 Ohm), 30W (163 Ohm), 15W (326 Ohm), 7.5W (653 Ohm) and Low Impedance (6Ω)
Transformer Taps - 100V	60W (163 Ohm) RNP, 30W (326 Ohm), 15W (653 Ohm) and Low Impedance (6Ω)
Directivity Factor (Q)	9.3 @ 2kHz
Directivity Factor (DI)	9.68 @ 2kHz
Max SPL @ 1 m (Passive)	113.8dB Continuous 116.8dB (Peak 6Ω)
Max SPL @ 4m EN54-24 (Passive - 100V/60W)	91db (+/-3dB)
Recommended Signal Processing	125Hz High Pass Filter
Recommended Power Amplification	375W @ 6Ω
Transducers	
LF Transducer Qty and Size	5 x 76mm
LF Voice Coil Size	20mm
HF Transducer Qty and Size	2 x 22mm
HF Voice Coil Size	20mm
Maximum Output	116.8dB SPL (Peak 6Ω)
Nominal Impedance	6Ω
Minimum Impedance	4.8Ω @ 5.9kHz
Crossover Frequency	3.5kHz
Enclosure	
Color	White (RAL9016) or Black (RAL9011)
Enclosure Material	Extruded Aluminum
Grille Material	Powder Coated Aluminum, White (RAL9016) or Black (RAL9011)
Baffle Material	Aluminum
Mount Material	Powder Coated CRS, Zinc Plated Hardware
Input Connection	Barrier Terminal For Transformer & 6Ω Inputs, NL4 For 6Ω Input
Mounting/Rigging Provisions	Wall Mounting Hardware Provided
Ingress Protection	IP33C
Logo	White on Black (Removable)
Product Dimensions (HxWxD)	16.61" (422mm) x 4.61" (117mm) x 5.43" (138mm)
Shipping Dimensions (HxWxD)	23.63" (600mm) x 8.13" (207mm) x 10" (254mm)
Net Weight	Unit With Wall Mount Bracket= 11.3lbs. (5.1kg)
Shipping Weight	15.4lbs (7kg)
Warranty Coverage	
Warranty Period	5 Years

NOTES:

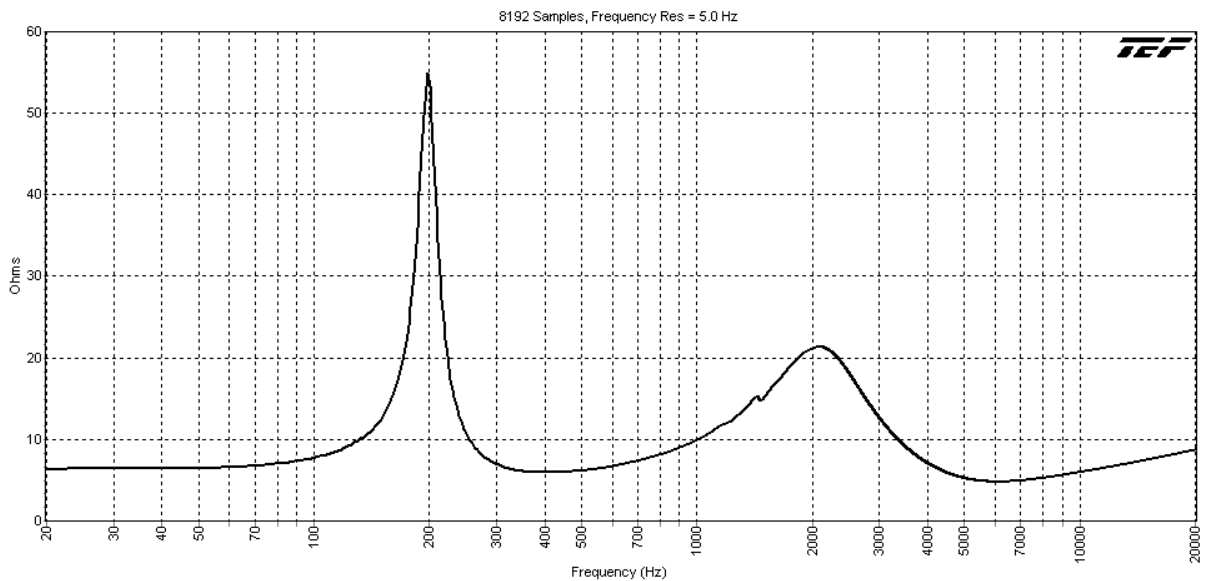
1. Sensitivity: Half space, 1 meter, 2.83V RMS.
2. Power: All power figures are calculated using the rated nominal impedance.
3. Frequency response and sensitivity are half space measurements.
4. Recommended power amplification is 1.5x program power.
5. RNP - Rated Noise Power



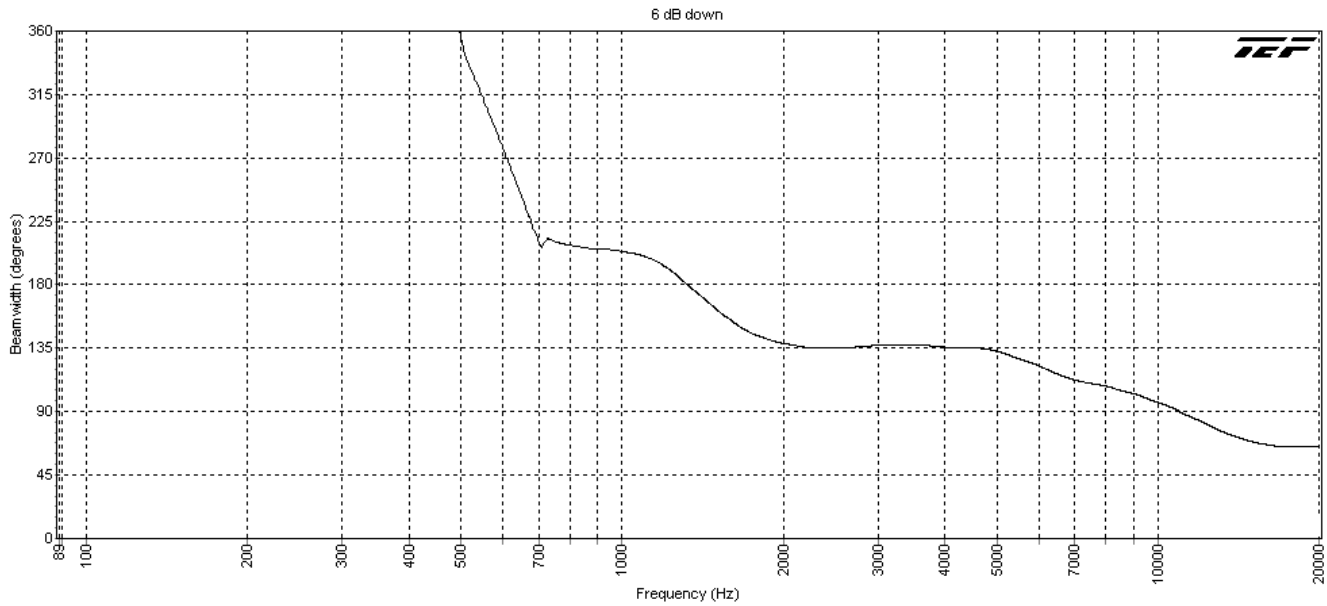
Frequency Response



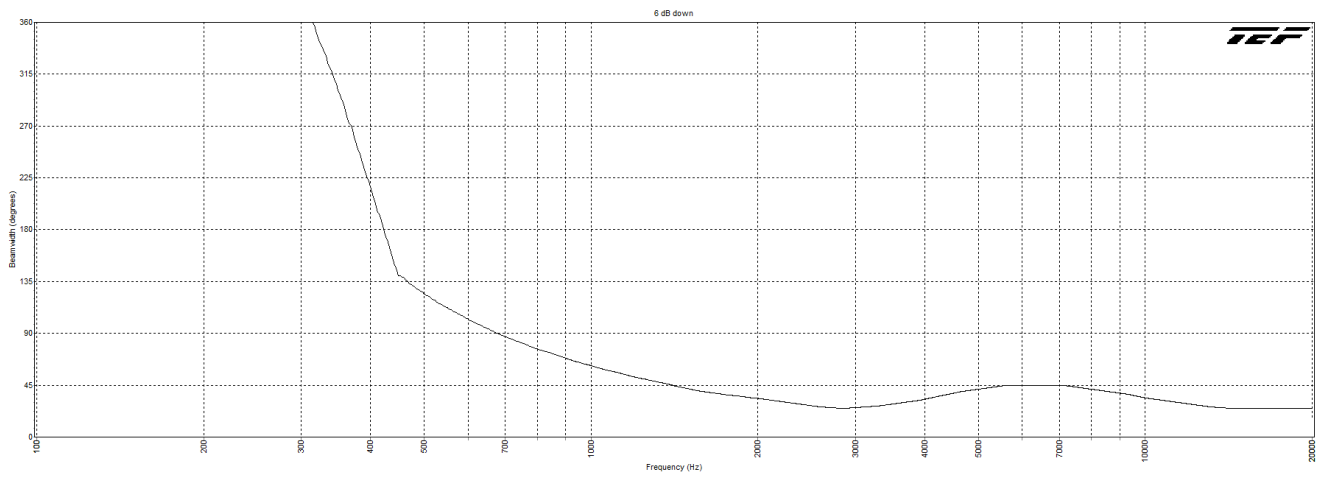
Impedance vs. Frequency Response



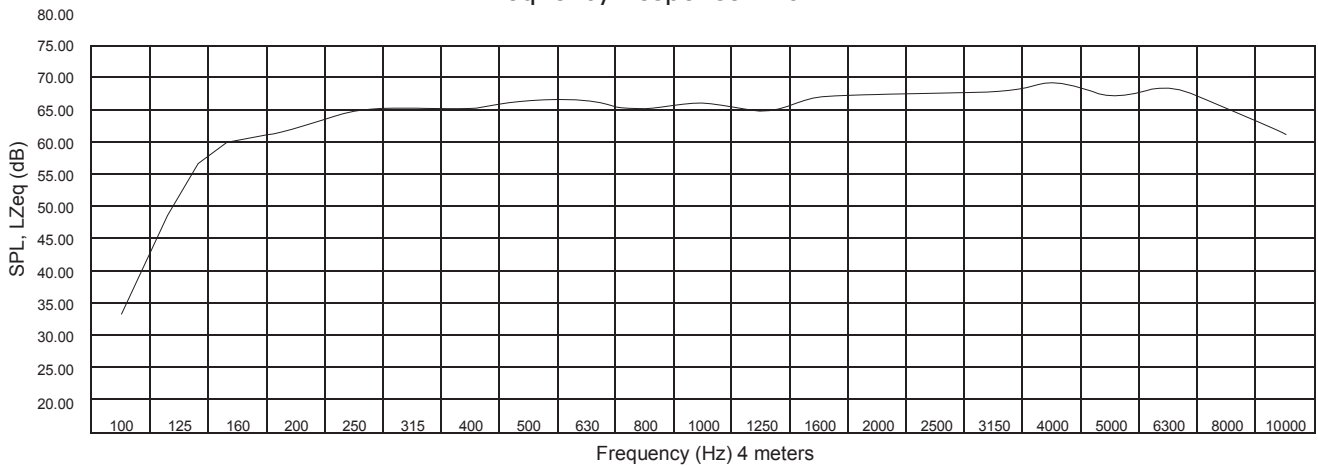
Horizontal Beamwidth vs. Frequency Response



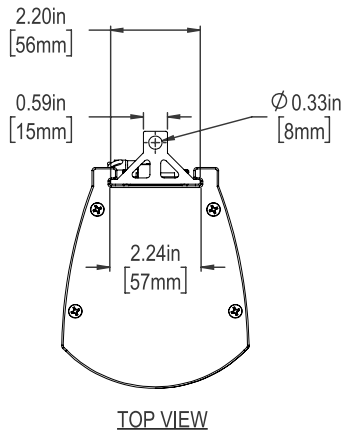
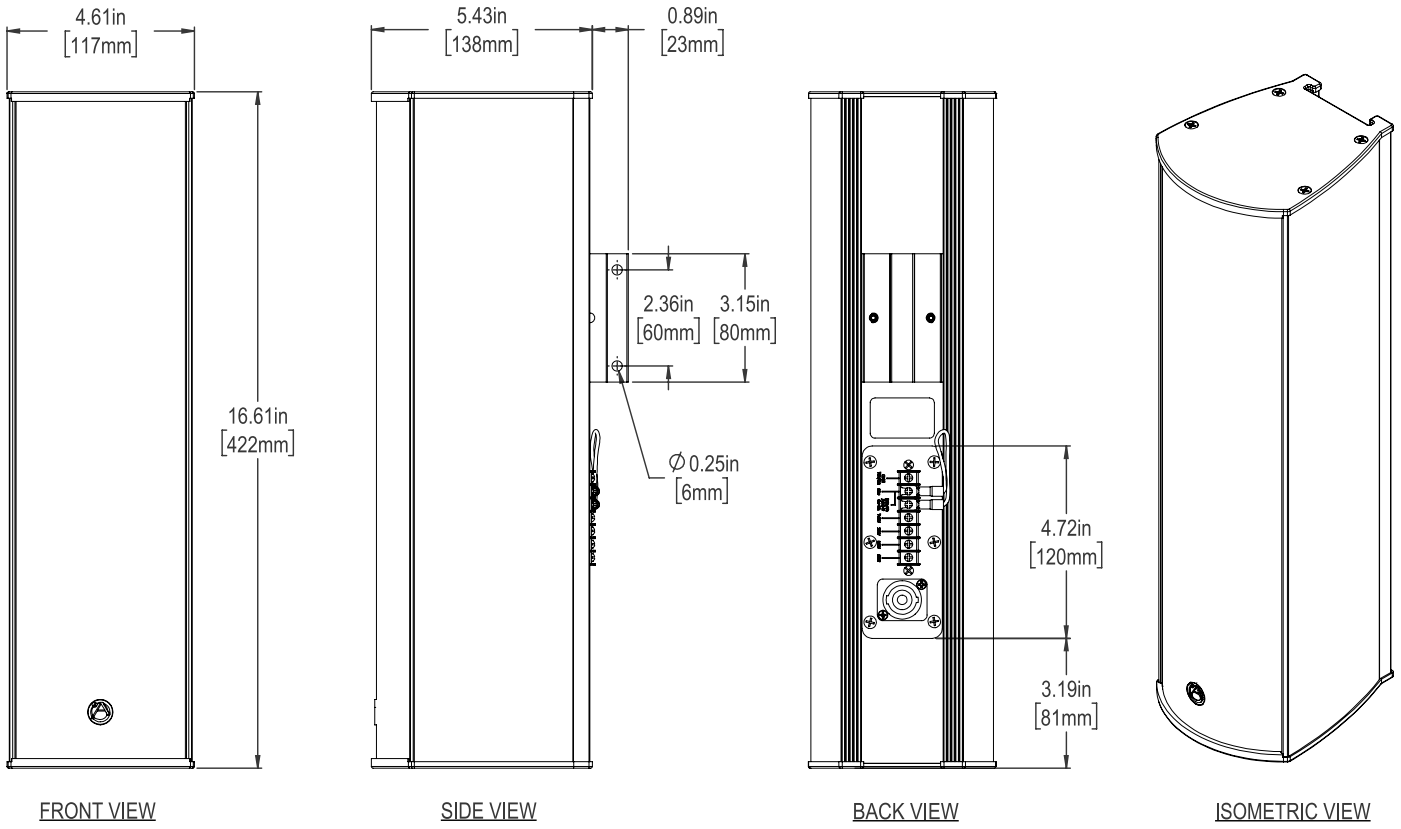
Vertical Beamwidth vs. Frequency Response



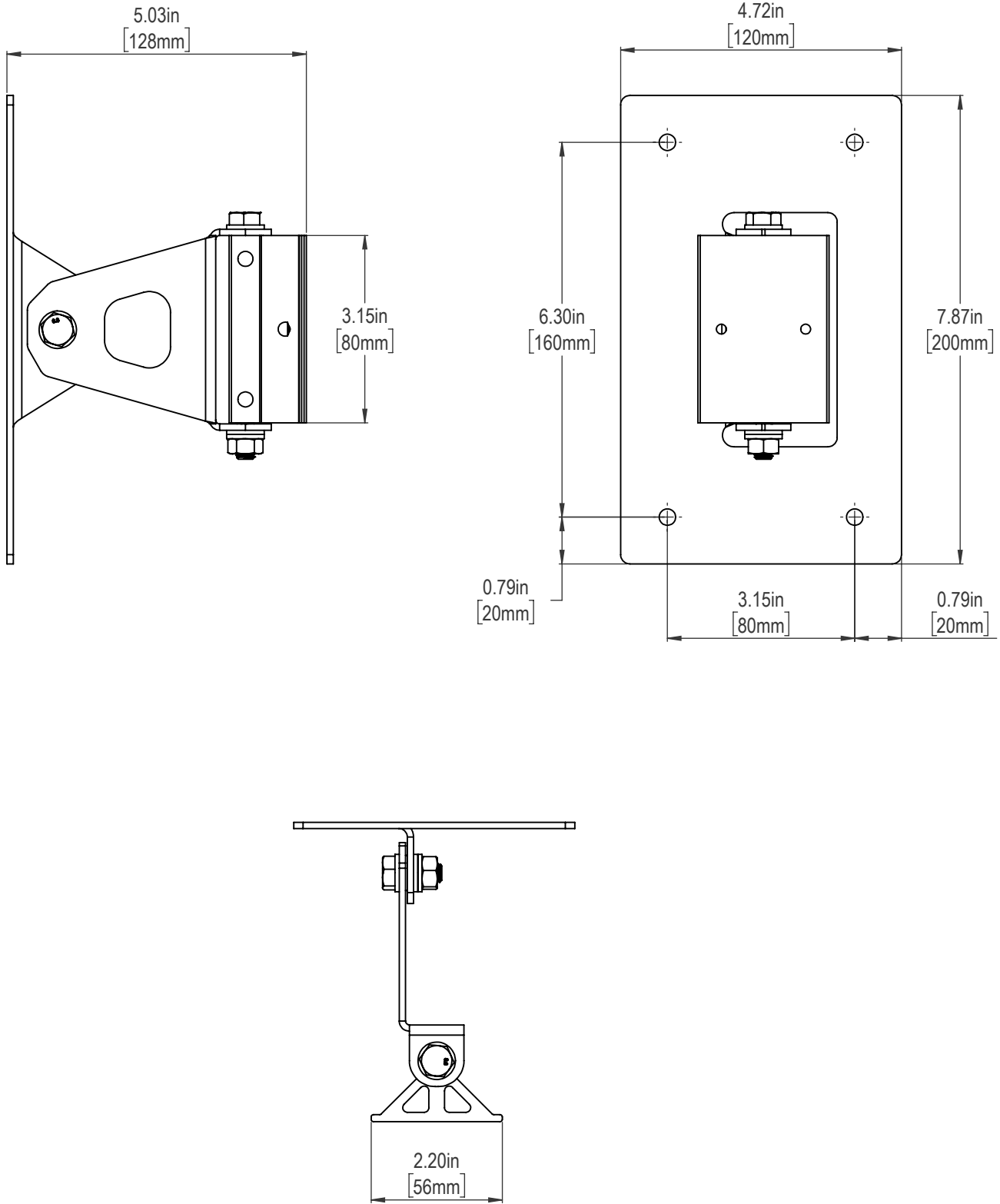
Frequency Response EN54-24



Dimensional Drawings



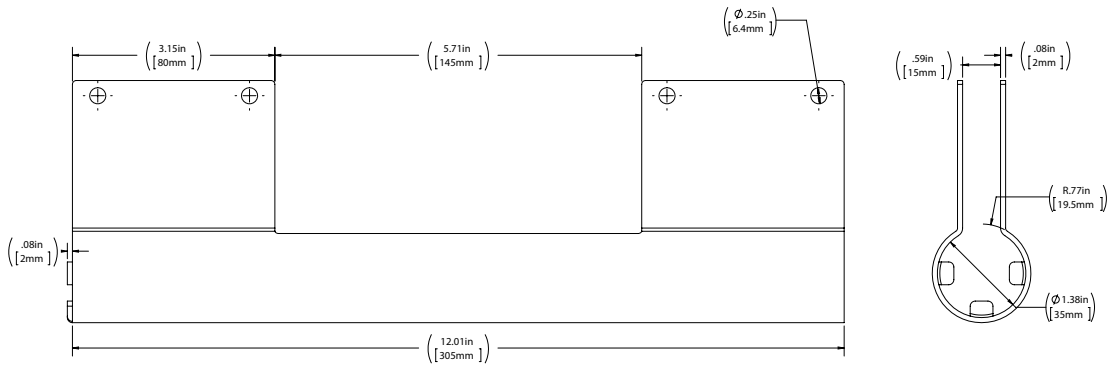
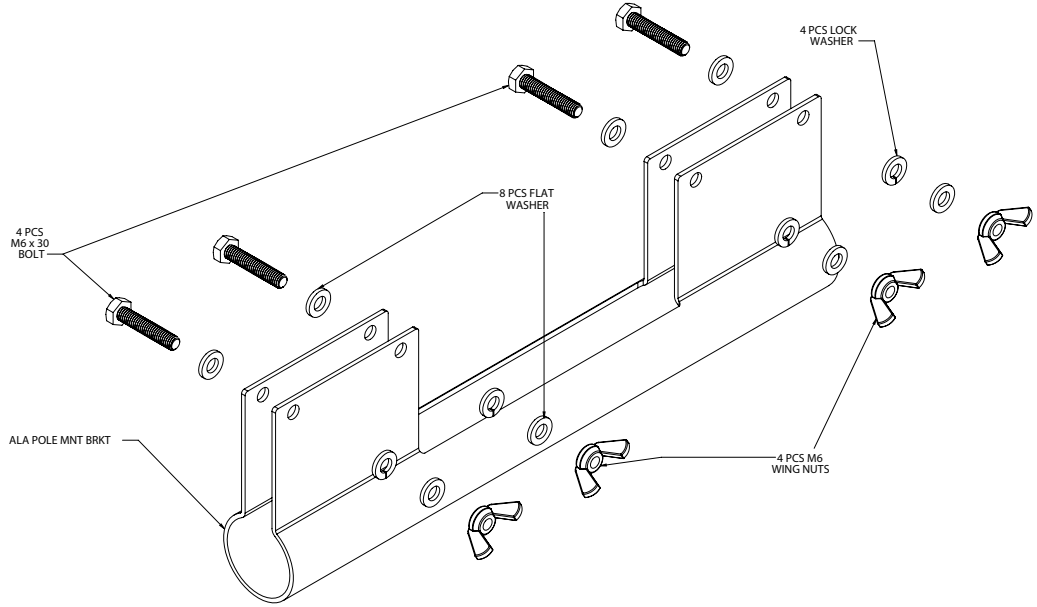
Included Accessories



©2021 Atlas Sound L.P. The Atlas "Circle-A", Soundolier, and Atlas Sound are trademarks of Atlas Sound L.P. IED is a Registered Trademark of Innovative Electronic Designs LLC. All rights reserved. All other Trademarks are property of their respective owners. No endorsement is implied. Due to continual product development, specifications are subject to change without notice. ATSO06488 RevA 4/21

Optional Accessories

ALAPMK - Pole Mount Kit Not EN54-24 Evaluated



©2021 Atlas Sound L.P. The Atlas "Circle-A", Soundolier, and Atlas Sound are trademarks of Atlas Sound L.P. IED is a Registered Trademark of Innovative Electronic Designs LLC. All rights reserved. All other Trademarks are property of their respective owners. No endorsement is implied. Due to continual product development, specifications are subject to change without notice. ATIS006488 RevA 4/21

Architect and Engineer Specifications

The loudspeaker system shall be a two way, full EN54-24 certified range column array system with five 3" (76mm) LF transducers and two 22mm dome tweeter HF transducers. The paintable enclosure shall be constructed of extruded aluminum. The back of the enclosure shall incorporate vertical channels that accept an included wall mount and allow the loudspeaker to slide up or down the mount for desired vertical aiming. The mounting system shall provide at least $\pm 10^\circ$ vertical tilt capability. The system shall have a frequency response of 137Hz to 20kHz (+/-5dB) and a low impedance (6 Ohm) input capability of 27.4V RMS. The sensitivity at 1W/1m shall be 92dB SPL with a max SPL of 116.8dB SPL at 1m. The loudspeaker system shall have a vertical coverage of 45° (800Hz - 4kHz) and a horizontal coverage of 135° average (800Hz - 4kHz). The system shall be equipped with a 60W high performance transformer for use in 70.7V or 100V distributed audio systems. In 70.7V operation, it shall provide 60W, 30W, 15W and 7.5W taps. In 100V operation, it shall provide 60W, 30W and 15W taps. Dimensions shall be 16.61" high (422mm) x 4.61" wide (117mm) x 5.43" deep (138mm), with a loudspeaker weight of 11.3lbs (5.1kg).