

## Highlights:

---

- Multi-tapping 100V line transformer
- 5" full range driver
- Steel front grill with flame retardant materials
- Steel fire protection dome

## Product information:

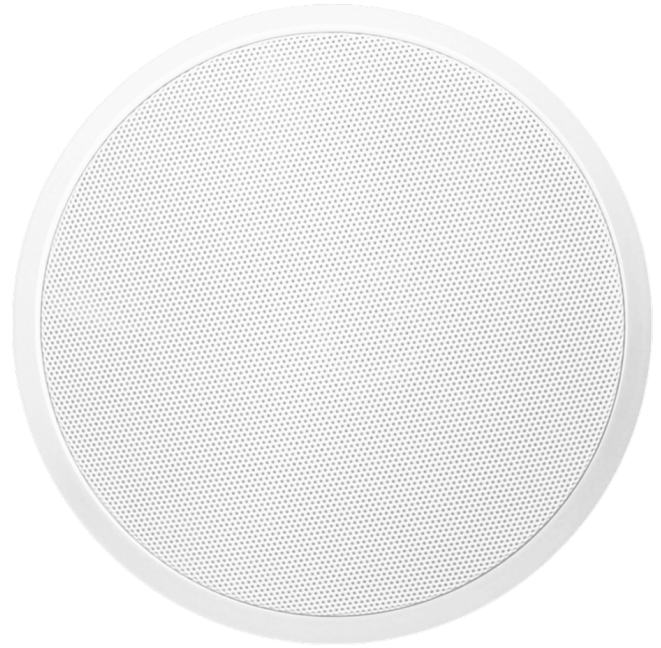
---

The CSF506/W is a fire-protected ceiling speaker with a 5" cone, capable of producing a power of 6 Watt. It ensures a good reproduction of speech and background music. It is fitted with a 100V line transformer with power taps for 6 Watt and 3 Watt to be used in large 100V PA systems. The speaker is equipped with a special steel fire protection dome fitted around the speaker and a steel front grill with flame-retardant materials. The MK2 version is painted in RAL9016, to harmonize the AUDAC ceiling speaker range we decided to bring out the CSF506/W variant in RAL9010.

## Applications:

---

- Bars & Restaurants
- Retail
- Hotels
- Corporate



## Voltage:

---

 100 Volt

## System specifications:

---

Speaker type		Broadband
Peak power handling		20 W
Program power handling		10 W
RMS/AES power handling		6 W
Line Transformer Tappings	1	6 W / 1666 $\Omega$
	2	3 W / 3333 $\Omega$
Impedance		8 $\Omega$
Frequency	Response ( $\pm$ 3 dB)	90 Hz - 18 kHz
Sound Pressure (Max. W/1m)		90 dB
Drivers		5"

## Product Features:

---

Dimensions	180 x 127 mm ( $\emptyset$ x D)
Cut-out measurement	160 mm ( $\emptyset$ )
Weight	1.300 kg
Construction	Steel fire protection dome
Front finish	Steel with flame retardant materials

## Variants:

---

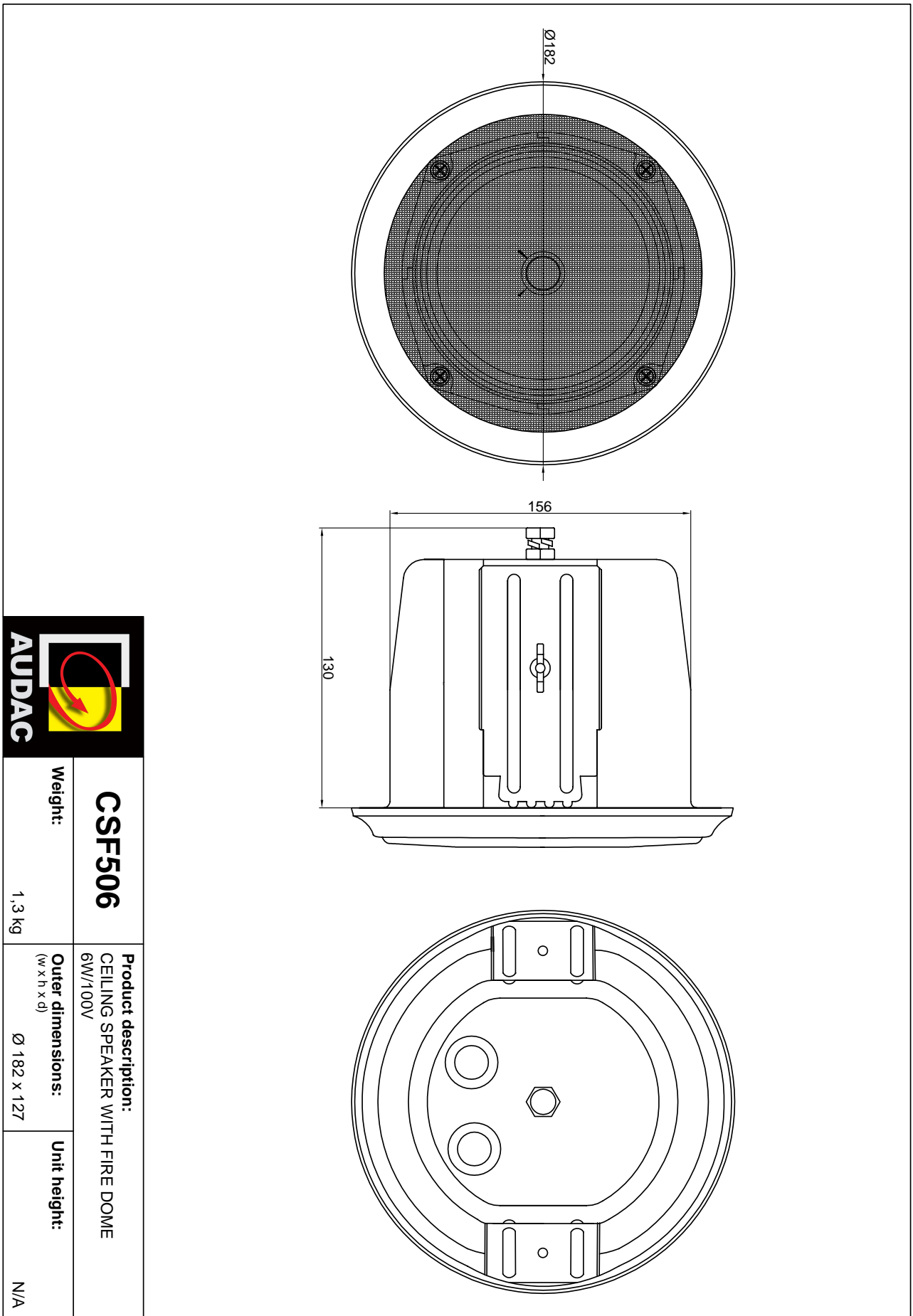
- CSF506/W - White version - RAL9010

## Shipping & Ordering:

---

Packaging

Cardboard box



<p><b>CSF506</b></p>	<p><b>Product description:</b> CEILING SPEAKER WITH FIRE DOME 6W/100V</p>	<p><b>Unit height:</b> N/A</p>
<p><b>Weight:</b> 1,3 kg</p>	<p><b>Outer dimensions:</b> (w x h x d) <math>\varnothing 182 \times 127</math></p>	