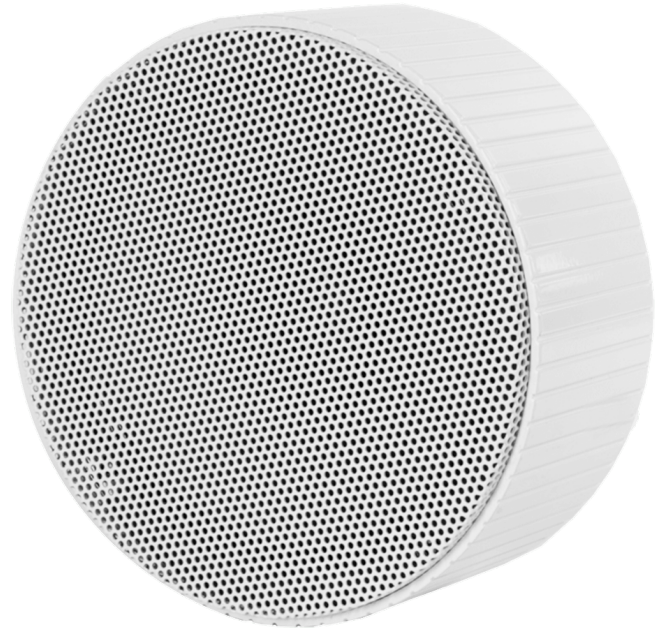


Product information:

The CSS556 is a 10 Watt surface-mount loudspeaker which is designed to be used in all kinds of applications where there is no possibility to integrate speakers into walls or ceilings. It features a 6" full range loudspeaker which is suitable for background music announcements and is fitted with a line transformer with power taps for 6 Watt and 3 Watt. The CSS556 is conform with EN60849, which is known as the standard for sound systems for emergency purposes. They are made of high quality components to ensure a beautiful warm sound reproduction of music and speech. Furthermore, they all have an integrated 100V line transformer with several power taps, whereby they can be used in standard low impedance Hi-Fi or larger 100V PA systems. The cone is moisture-proof treated, so they can be used in damp rooms or in outside applications. The grill and housing can be painted to integrate seamlessly into your interior.



Voltage:

 100 Volt

System specifications:

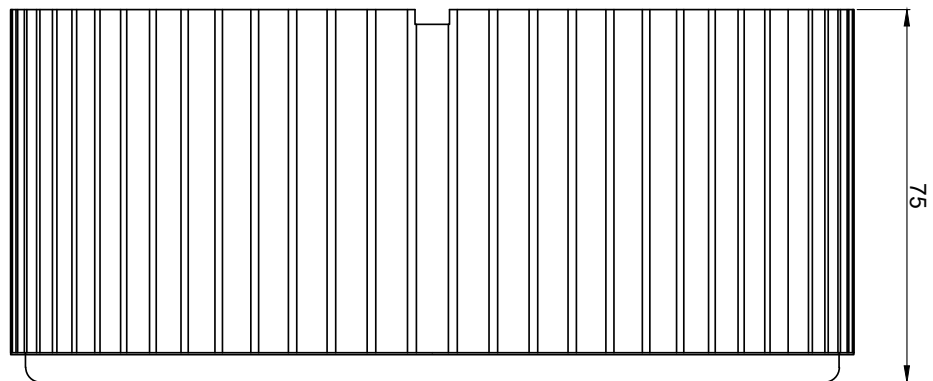
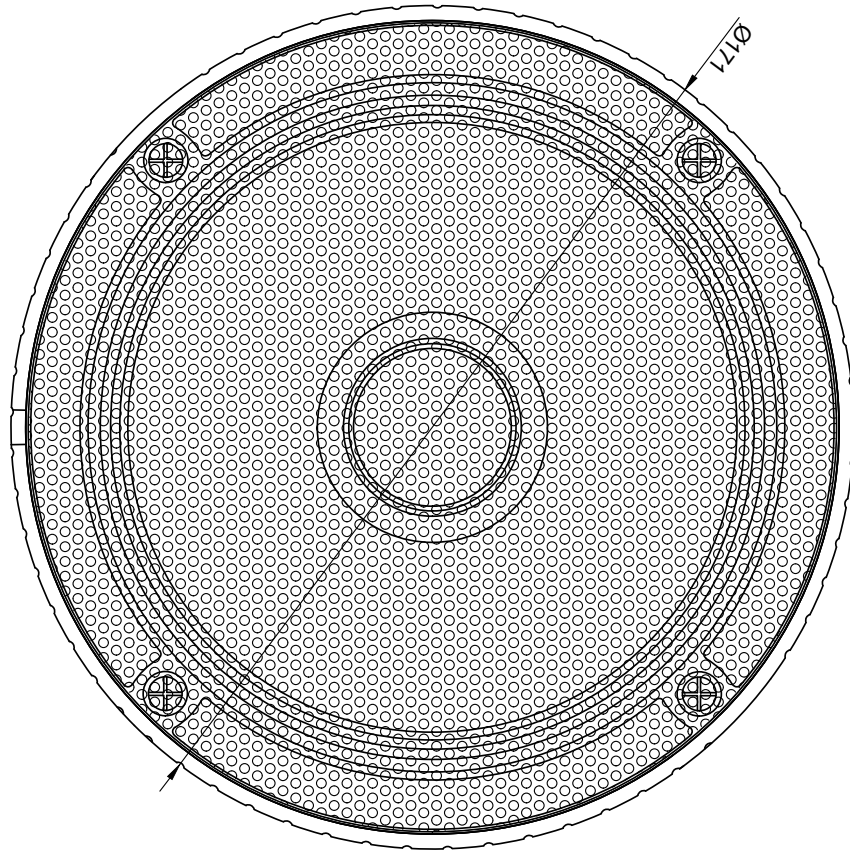
Program power handling		15 W
RMS/AES power handling		10 W
Line Transformer Tappings	1	6 W / 1666 Ω
	2	3 W / 3333 Ω
Frequency	Response (\pm 3 dB)	110 Hz - 18 kHz
Sensitivity (1W/1m)		91 dB
Drivers		6" Full Range

Product Features:

Dimensions		170 x 75 mm (Ø x D)
Weight		1.14 kg
Operating temperature		-20 °C ~ 60 °C
Construction		Aluminum
Mounting		2 Screws
Front finish		White aluminium grill
Accessories	Included	Mounting bracket
Colours		White (RAL9010)

Shipping & Ordering:

Packaging	Cardboard box
Shipping weight & volume	3.000 kg - 0.011 Cbm



CSS556	Weight:	1,14 kg
Product description: SURFACE MOUNT SPEAKER 6W/100V	Outer dimensions: (w x h x d)	Ø 171 x 75
	Unit height:	N/A