



# MBK112

## Mounting bracket for PX112 speaker

### Product information:

The MBK112 series mounting brackets are especially designed for the mounting of the AUDAC PX series speakers. These black brackets allow mounting the speakers in any possible situation. For the mounting of the PX series speaker with the corresponding bracket, the pole flange adapter in the bottom of the speaker has to be replaced with a screw flange adapter, which is included. They are constructed of solid steel, and come with all the necessary parts for safe mounting, such as 2 M10 bolts and a safety cable with M10 eye bolt mounting. This bracket is also available in white, MBK112/W



### Product Features:

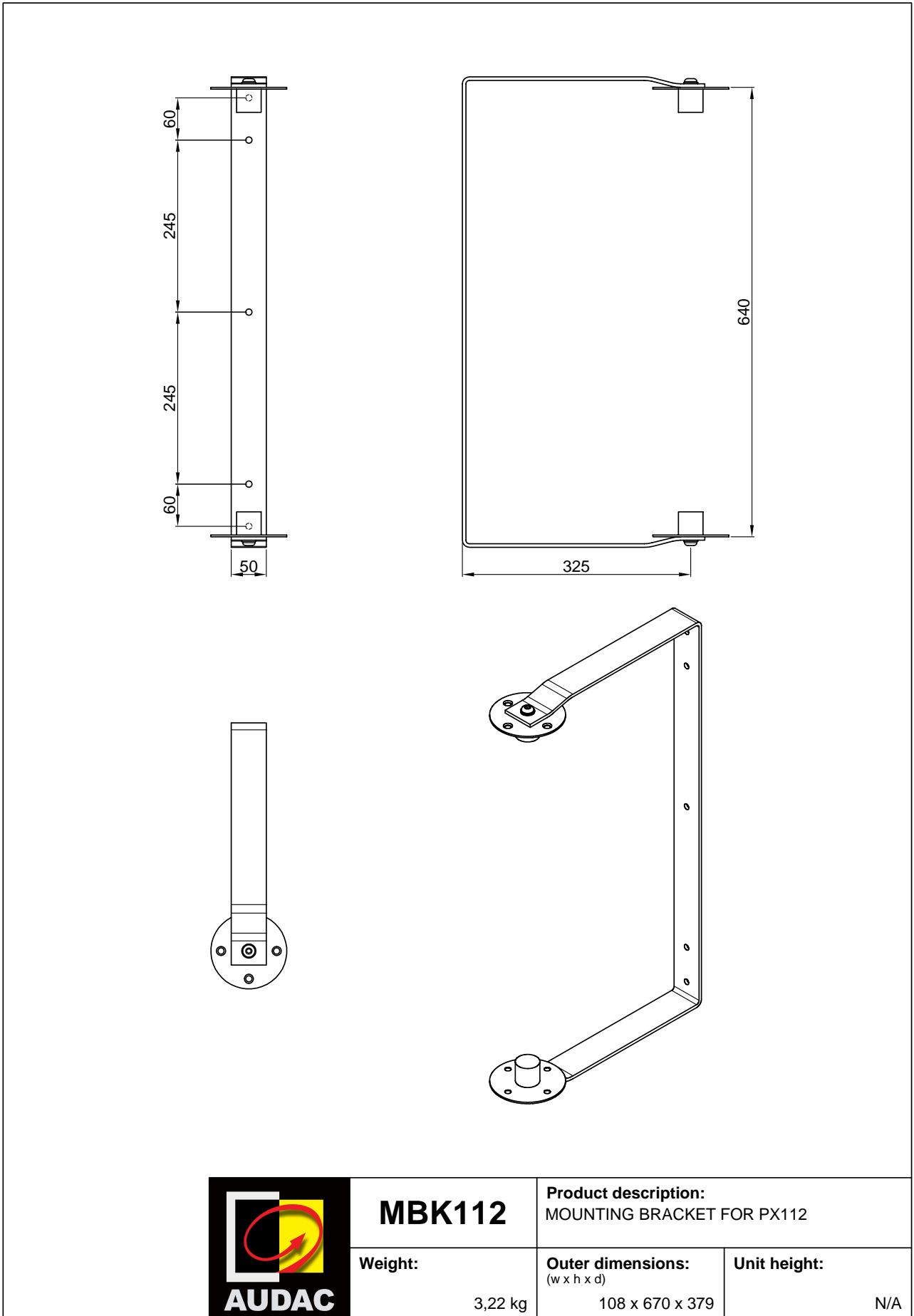
Dimensions		50 x 670 x 345 mm (W x H x D)
Weight		3.220 kg
Construction		Steel
Colours		Black (MBK112) White (MBK112W)
Accessories	Included	screw flange adapter, M10 bolts, M10 eye bolt, safety cable

### Variants:

- MBK112 - Black version

### Shipping & Ordering:

Compatible with	PX112
Packaging	Cardboard box
Shipping weight	3.450 kg



<b>MBK112</b>	<b>Product description:</b> MOUNTING BRACKET FOR PX112		
	<b>Weight:</b> 3,22 kg	<b>Outer dimensions:</b> (w x h x d) 108 x 670 x 379	<b>Unit height:</b> N/A