

## Highlights:

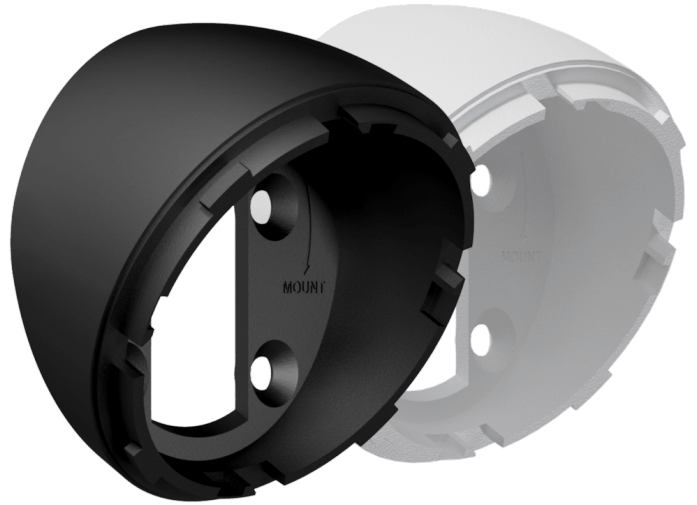
---

- Adds an 30° angle
- For horizontal and vertical placement

## Product information:

---

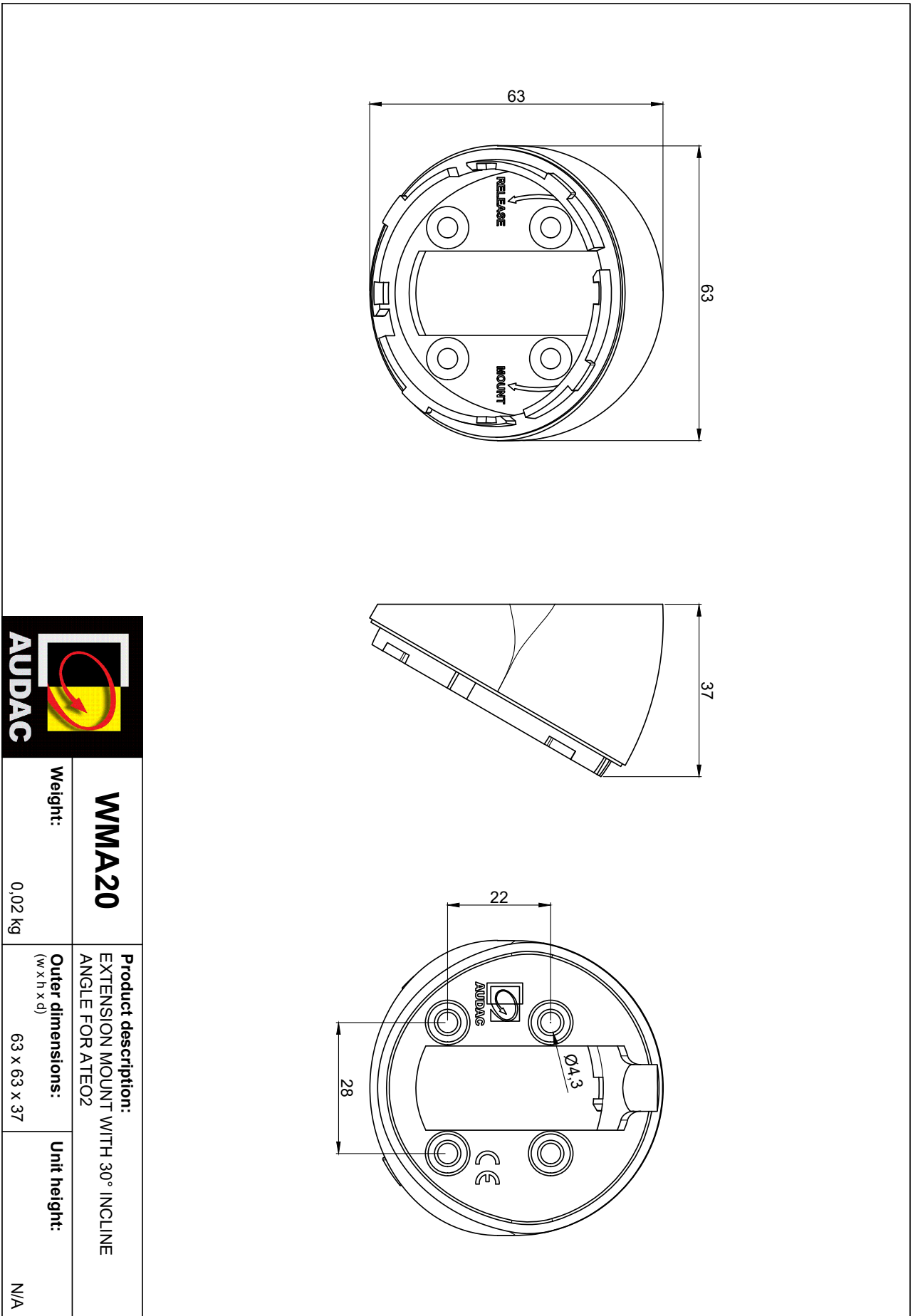
The WMA series incline bracket is specially designed for the ATEO speaker series. These brackets add an extra 30° angle to the already existing incline angle of ATEO speakers. This bracket opens the possibility to place the speaker horizontally or vertically in an angle up to 60° and ensures a perfect sound experience. The bracket extends the CleverMount™ technology by complimenting the flow from the speaker cabinet to its bracket and maintain the ease for installing the loudspeaker in one good-looking entity.



## Variants:

---

- WMA20/B - Black
- WMA20/W - White



<b>WMA20</b>		<b>Product description:</b> EXTENSION MOUNT WITH 30° INCLINE ANGLE FOR ATEO2
<b>Weight:</b> 0,02 kg	<b>Outer dimensions:</b> (w x h x d) 63 x 63 x 37	
		<b>Unit height:</b> N/A