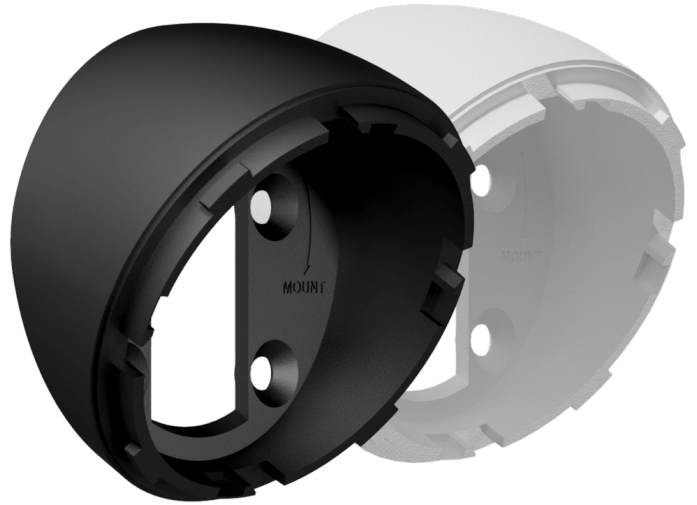


Highlights:

- Adds an 30° angle
- For horizontal and vertical placement

Product information:

The WMA series incline bracket is specially designed for the ATEO speaker series. These brackets add an extra 30° angle to the already existing incline angle of ATEO speakers. This bracket opens the possibility to place the speaker horizontally or vertically in an angle up to 60° and ensures a perfect sound experience. The bracket extends the CleverMount™ technology by complimenting the flow from the speaker cabinet to its bracket and maintain the ease for installing the loudspeaker in one good-looking entity.



Variants:

- WMA20/B - Black
- WMA20/W - White

