

Desono™

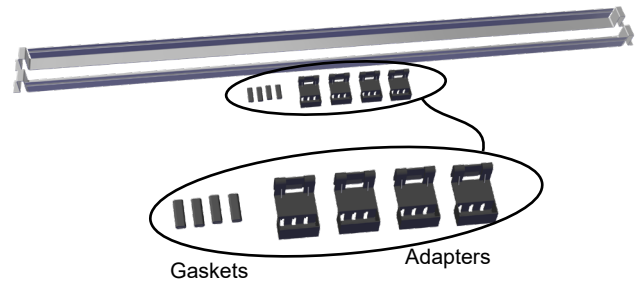
Ceiling Loudspeaker Accessories

48" Tile Rails with Adapters (SPA-RAIL48)

Installation Guide

Biamp offers 48" tile rails for Desono ceiling loudspeakers. CM and C-IC6 loudspeakers utilize adapters with the mounting rails included with the loudspeakers. Please refer to the appropriate Installation and Operation guide for additional information on installation methods.

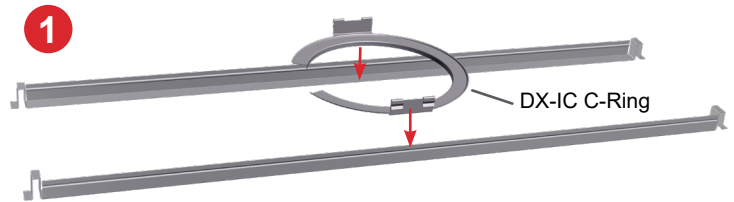
Note: Loudspeakers do not need to be placed in the center of the large ceiling tile if there are other elements above the ceiling or in the tile.



SPA-RAIL48
(2 sets in each kit)

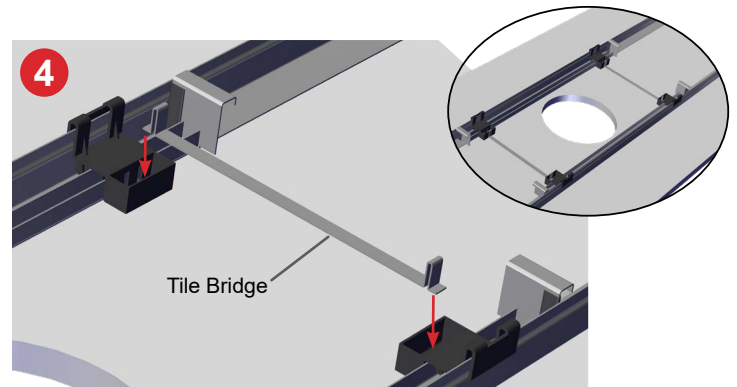
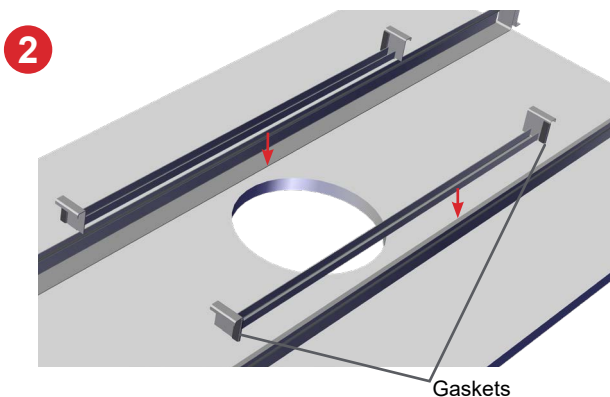
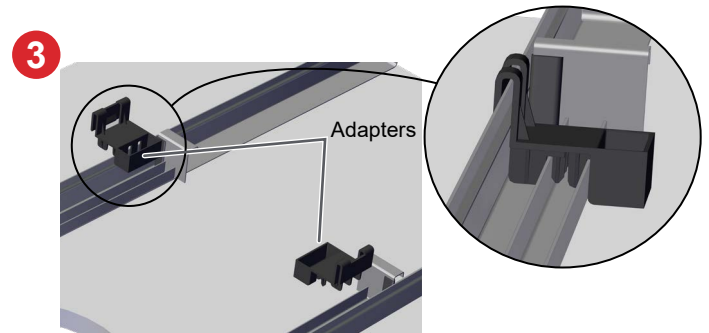
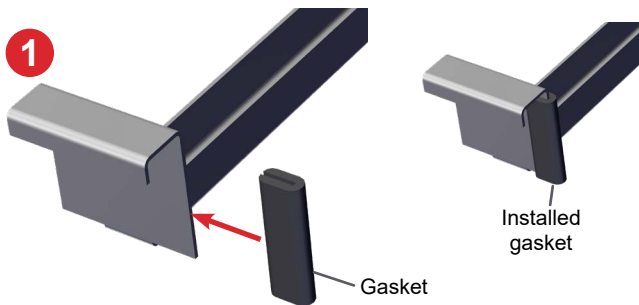
DX-IC Installation

1. Place 48" tile rails with flat side in (as shown) the appropriate distance apart and install the C-Ring. Install the ceiling tile and loudspeaker per regular installation practice. 24" rails not needed.



CM Series Installation

1. Push a gasket onto the edge of one side of each tab on both ends of the 24" tile rail.
Note: These gasketed ends sit against the 48" rails and prevent any chattering during loudspeaker operation.
2. Place 48" tile rails with flat side toward the opening the appropriate distance apart and place the 24" rails on the flat of the larger rail with gaskets against the 48" rail's vertical wall (as shown).
3. Push an adapter onto the rails close to each end of the shorter rails capturing the vertical walls of each rail. The fit will be tight (*see detail for placement*).
4. Place a tile bridge (included with the CM models) onto each pair of adapters as shown, and align around the opening in the ceiling tile.

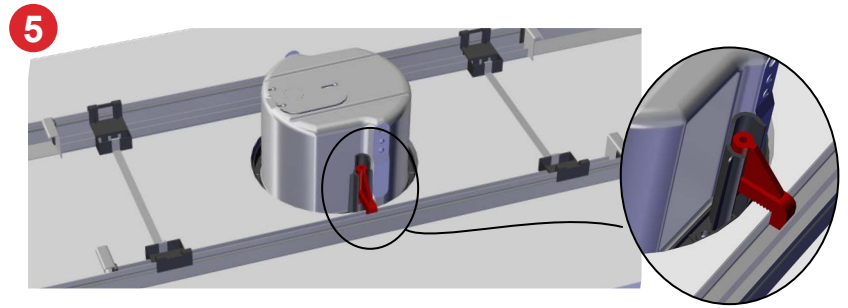


Desono™ Ceiling Loudspeaker Accessories

48" Tile Rails with Adapters

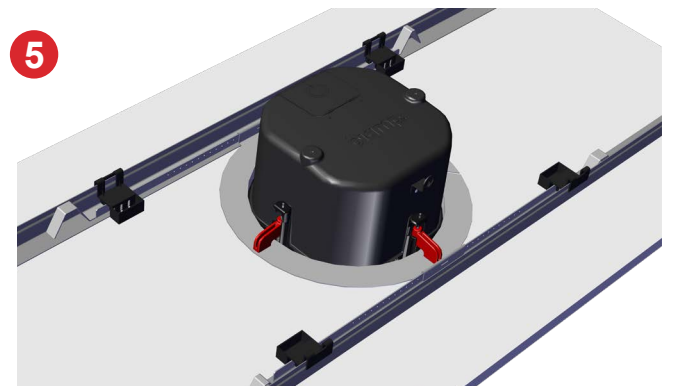
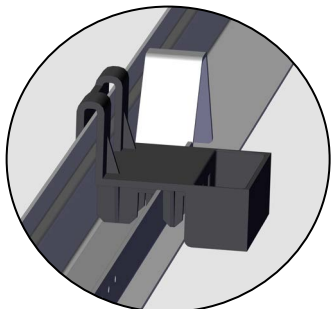
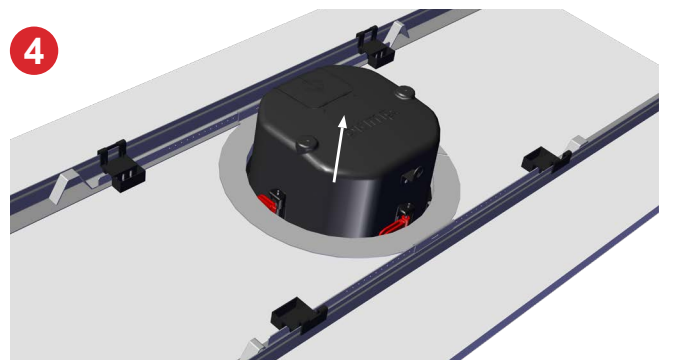
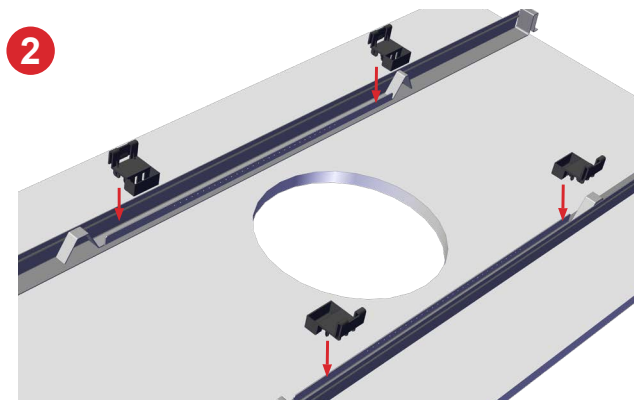
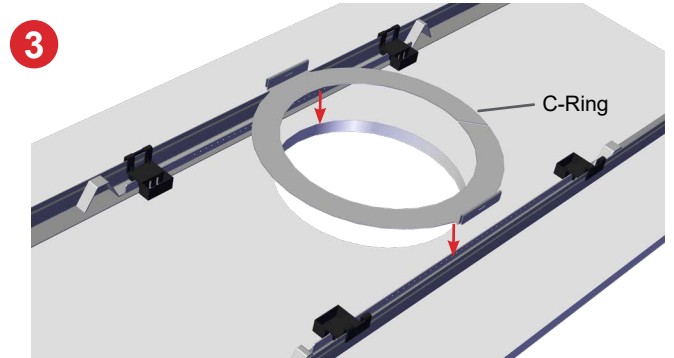
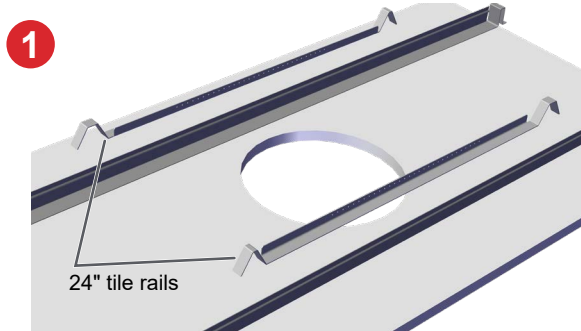
CM Series Installation (continued)

5. With the dog ears rotated in, install the loudspeaker in the ceiling tile. Rotate the dog ears out and down to fit into the channels in the 24" tile rails. Do not deform the ceiling by tightening the dog ears too much.



C-IC6 Installation

1. Place 48" tile rails with flat side in (as shown) the appropriate distance apart and place the 24" rails on the flat of the larger rail. (Shown with tile in place)
2. Push an adapter onto the rails at each end of the shorter rails capturing the vertical walls of each rail. The fit will be tight (see circle detail).
3. Install the C-ring onto the 24" rails; center on the opening. Secure the C-ring with the provided screws.
4. With the dog ears rotated in, insert the loudspeaker up through the C-ring and ceiling.
5. Rotate the dog ears out and down to fit onto the C-ring. Do not deform the ceiling by tightening the dog ears too much.



Desono™ Ceiling Loudspeaker Accessories 48" Tile Rails with Adapters (SPA-RAIL48)

SPECIFICATIONS

H x W x D: 37 x 26 x 1248 mm [1.46" x 1.02" x 49.12"]

Material / Finish: Zinc-plated 1.2mm steel (tile rails),
Black ABS (adapter), Black neoprene rubber (gasket)

Quantity per kit: 2 sets of rails, adapters, gaskets

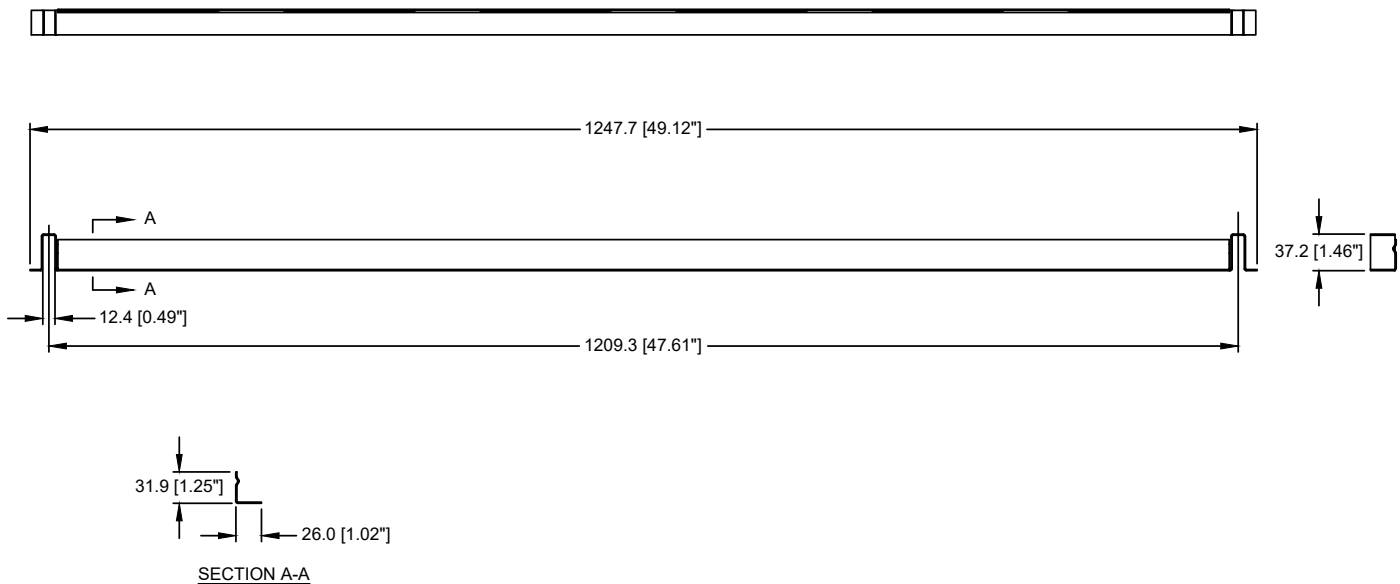
Unit Weight: 3.0 lbs (1.4 kg) per pair

Scan this QR-code and navigate to
your loudspeaker model to download
the appropriate installation guide



bia.mp/DesonoCeiling_pubs

TECHNICAL DRAWING



COMPLIANCE INFORMATION

Conforms to UL2043 Standard

SUITABLE FOR USE IN AIR HANDLING SPACES



Intertek
5016802

CONTACT US

Email: support@biamp.com

Web: support.biamp.com

Warranty: biamp.com/legal/warranty-information