

Desono™ E Series ENT200 Universal Mounting Kit (E200-UMK) Installation & Operation Guide

PRODUCT DESCRIPTION

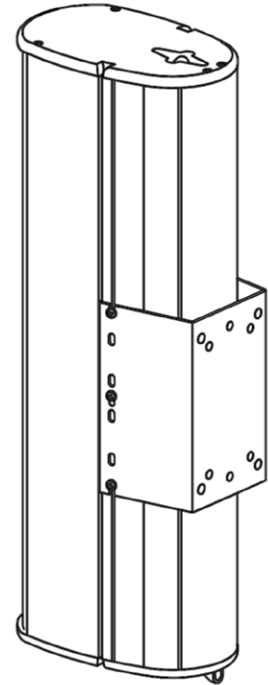
The E200-UMK is a rugged bracket designed to flush mount a single Desono™ ENT200 column loudspeaker enclosure tightly against a wall or ceiling, or to accommodate third-party mounting brackets. Use with models ENT203, ENT206, ENT212 and ENT220. Typically, one E200-UMK bracket is used per loudspeaker.

Kit includes:





- One (1) Universal Mount Bracket
- Six (6) M3.5x16 Philips truss-head sheet metal screws



FEATURES

- Mounting hole pattern has standard spacings to accommodate third-party 30 lb or 60 lb working load mounting brackets
- All parts are engineered to provide a high margin of safety for mounting and suspending Desono ENT200 loudspeakers
- Steel construction finished with a durable dual-layer powder-coat finish
- Available in black (E200-UMKB) or white (E200-UMKW) to match the color of the loudspeaker enclosure



RIGGING AND ELECTRICAL SAFETY

-  **CAUTION:** It is strongly recommended that a licensed and certified professional structural engineer approve the mounting. Severe injury and/or loss of life may occur if this product is improperly installed.
-  **IMPORTANT:** Installation of loudspeakers should only be performed by trained and qualified personnel. All electrical connections must conform to applicable city, county, state, and national (NEC) electrical codes.
-  **DANGER:** It is possible to experience severe electrical shock from a power amplifier. Always make sure that all power amplifiers are in the "OFF" position and unplugged from an AC Mains supply before performing electrical work.
-  **DANGER:** It is essential that the secondary cable be secured to a suitable load-bearing point separate from the primary loudspeaker mounting point, with as little slack as possible so as not to develop undue kinetic force if the primary mount were to fail.

-  **IMPORTANT:** When attaching the E200-UMK to the loudspeaker, tighten all fasteners firmly, but do not over-tighten to avoid stripping the threads. Always use the safety attachment point at the top of the loudspeaker enclosure for a safety cable (not intended as a primary suspension point). The E200-UMK is pre-drilled with standard spacings to accommodate third-party 30 lb or 60 lb working load mounting brackets.
-  **IMPORTANT:** The E200-UMK is provided with the hardware required to attach it to the loudspeaker enclosure. No additional hardware is provided to attach the bracket to the mounting surface, or to attach suspension cables to the bracket. Such hardware must be supplied by the installer and should be sized and rated for the weight load of the loudspeaker. The installer is solely responsible for determining if the mounting surface is capable of safely supporting the weight load of the loudspeaker, for selecting appropriate hardware to install it, and for determining if all rigging components that are used to suspend the enclosures are adequately sized and rated and whether the structure they are suspended from is capable of safely supporting the aggregate weight load.

INSTALLATION

Flush Mounting Assembly Instructions

1. Attach the Universal Mount Bracket to the mounting surface. Refer to Bolt Pattern for hole placement.
Note: Wall Mounting fasteners must be supplied by the Installer as mounting requirements may vary.
2. Install two (2) 3.5 x 16mm Philips truss-head deep thread screws into the reinforced slot in the enclosure, one on each side of the loudspeaker enclosure. (Figure 1) These will be the screws at the top of the bracket. Slide the loudspeaker enclosure into the top of the bracket until the two screws rest in the bracket slots.
3. Tighten the two top screws. Install and tighten four (4) additional 3.5 x 16mm Philips truss-head deep thread screws (two (2) on each side) through the slots of the bracket into the reinforced slot in the enclosure.
Note: Pilot holes in the enclosure are factory-suggested mounting positions but the bracket may be mounted at any position along the length of the column as needed to suit a particular installation.
4. Secure the loudspeaker with a safety cable attached to the loop on the top (Figure 2). The cable should be attached to the included bracket, and mounted to a secondary mounting point close to the top of the enclosure to avoid any kinetic force if the primary mount should fail.

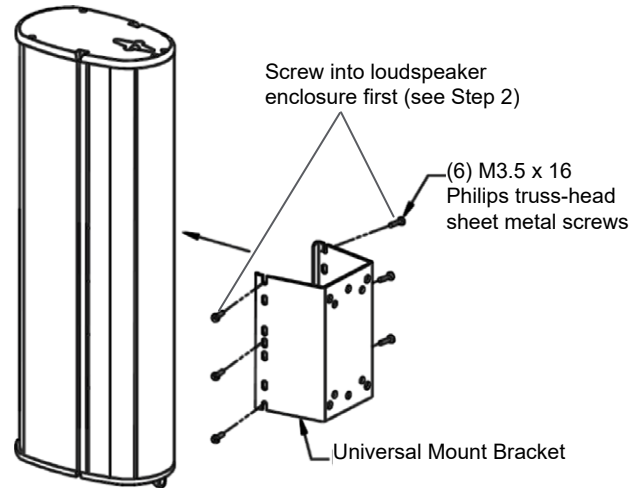
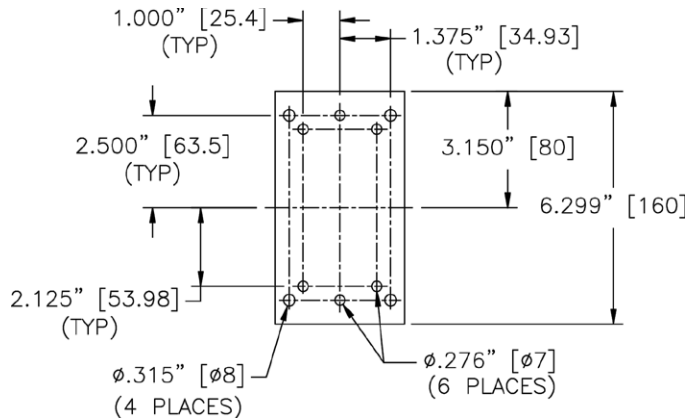


Figure 1. E200-UMK Assembly

IMPORTANT: When mounting an ENT200 loudspeaker, always attach the safety point at the top of the enclosure to the safety cable support bracket (included). The installer is responsible for sourcing the proper safety cable to meet all applicable local building codes and standards. The safety cable must be of sufficient strength to suspend the loudspeaker in the event that the primary mounting bracket should fail. After final positioning of the loudspeaker, make sure to remove as much slack as possible from the safety cable to minimize shock load in the event of bracket failure.



E200-UMK Bolt Pattern
(will accommodate third-party mounting products)

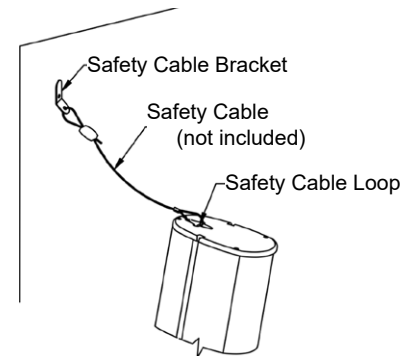


Figure 2. Attaching the safety cable

CONTACT US

Email: support@biamp.com

Web: support.biamp.com

Note: Every effort has been made to ensure that the information contained in this manual was complete and accurate when printed. However, due to ongoing technical advances, changes or modifications may have occurred that are not covered in this manual. The latest version is available at www.biamp.com.