



PRELIMINARY SPECIFICATIONS

Loudspeaker Type:	Two-way, full-range coaxial floor monitor
Operating Range:	70 Hz to 18 kHz 90 Hz to 16 kHz (± 4 dB)
Max Input Ratings (Passive):	200W continuous, 500W program 40 volts RMS, 89 volts momentary peak
Recommended Power Amplifier:	400W to 600W @ 8 ohms
Sensitivity (1W/1m):	99 dB SPL (125 Hz to 12.5 kHz 1/3 octave bands) 99 dB SPL (250 Hz to 4 kHz speech range)
Maximum Output:	122 dB SPL / 129 dB SPL (peak)
Nominal Impedance:	8 ohms
Minimum Impedance:	5.6 ohms @ 200 Hz
Nominal -6dB Beamwidth:	100° H (+48° / -31°, 500 Hz to 6 kHz) 100° V (+48° / -31°, 500 Hz to 6 kHz)
Axial Q / DI:	6.5 / 8.1, 500 Hz to 6 kHz
Crossover Frequency:	1 kHz
Recommended Signal Processing:	80 Hz high pass filter
Drivers:	LF (1) 10-inch cone HF (1) 1.25-inch exit
Driver Protection:	DYNA-TECH™ driver protection system
Input Connection:	(2) paralleled NL4-compatible locking connectors internally looped to one 2-terminal barrier strip
Enclosure:	11-ply cross-laminated birch
Handles:	(1) Ergo-Grip™ rear pocket handle
Finish:	Black paint finish
Grille:	16-gauge perforated steel, black powder coated
Required Accessories:	24 dB/Octave 90 Hz high pass filter
Supplied Accessories:	(4) rubber feet with mounting screws
Optional Accessories:	MX-Y10B mounting yoke bracket, black
Dimensions—Height:	10.8 inches (275 mm)
Width:	12.6 inches (321 mm)
Depth:	16.5 inches (419 mm)
Weight:	22 lbs (10 kg)

NOTES:

- Sensitivity: Free field pink noise measurement at 6 ft (1.8 m) at 20% power; extrapolated to 1 meter and an input of 2.83 volts RMS.
- Watts: All wattage figures are calculated using the rated nominal impedance.

MX8 OPTIONS

MX10-B 10-inch monitor, black finish



MX10 Rear View

APPLICATIONS

- Musical theater
- Scholastic facilities and auditoriums
- Houses of worship
- Corporate presentations
- Television broadcast events
- Bars and restaurant
- Clubs and bands

FEATURES

- Stylish, compact, and elegant appearance
- Smooth conical dispersion for uniform stage coverage
- Patented Carbon Ring Cone Technology™
- Coaxial design provides flat frequency and phase response
- Discreet single Ergo-Grip™ rear pocket handle for portability
- Available in a black finish
- Five-year warranty

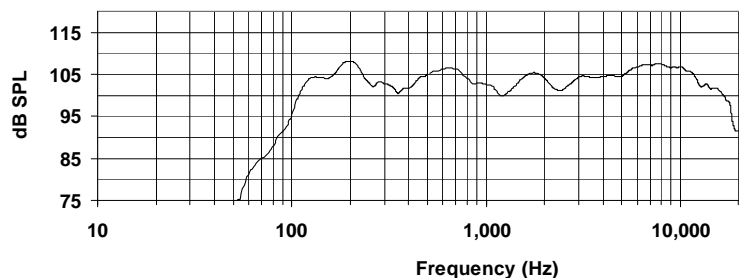
DESCRIPTION

The M-Class MX10 is a stylish and low profile floor monitor with excellent performance capabilities. Utilizing proprietary coaxial drivers to provide true point-source acoustical output, this compact monitor provides professional performance at an affordable price. Conical waveguides eliminate the transition anomalies that occur in most square and rectangular horns, resulting in exceptionally smooth phase and frequency response curves. Its coaxial design means that all of the sound emanates from the same point source. These innovations reduce feedback, improve intelligibility, and provide uniform coverage.

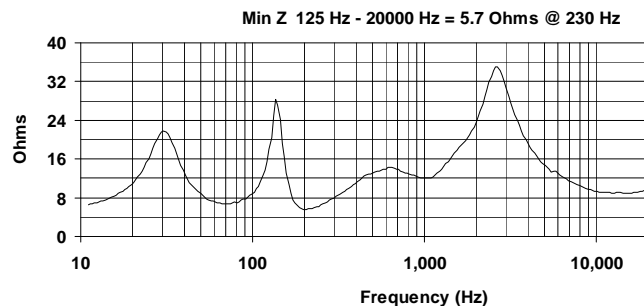
The MX10 features high sensitivity, permitting the use of smaller power amplifiers to obtain very high output levels. Precision engineered internal crossovers eliminate the need for bi-amplification, further reducing the overall system cost. Characterized by a smooth, flat frequency response coupled with low distortion, the MX10 provides exceptional resistance to feedback. The Tru-Phase™ high frequency waveguide affords precision pattern control to avoid acoustic hot-spots on the stage, thereby greatly simplifying the task of the personnel who mix monitors.

The MX10 is available in a black finish. A single rear Ergo-Grip™ handle offers convenience for portable applications. An optional yoke mounting bracket for flush mounting an MX10 monitor tightly against a wall or ceiling is sold separately. The MX10 monitor is the perfect complement to any of Community's front-of-house systems including S-Series, VERIS, ENTASYS, iBOX and Solutions Series loudspeakers.

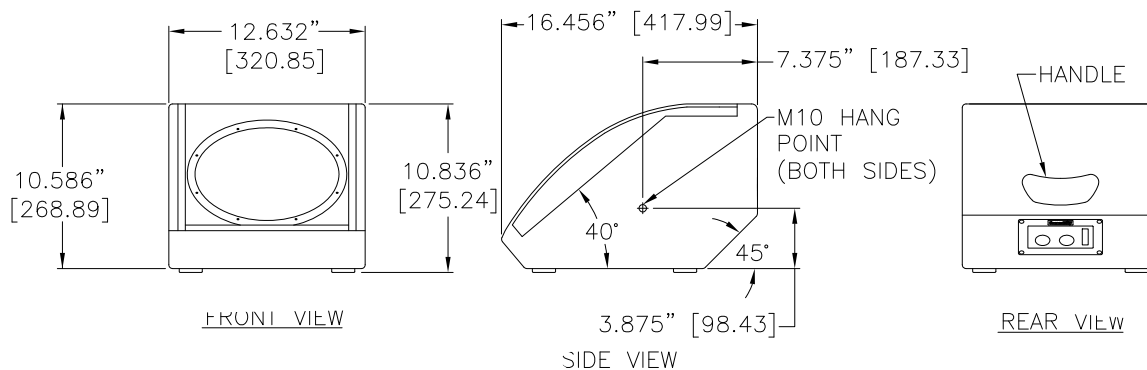
FREQUENCY RESPONSE



IMPEDANCE



DIMENSIONS



OPTIONS



M-Class MX8 and MX10 monitors are available in a black finish.



Wall, corner and ceiling mounting is possible using the optional yoke bracket sold separately.

ARCHITECTURAL SPECIFICATIONS

The loudspeaker system shall be a compact, two-way, full-range coaxial design. The loudspeaker system shall have one 10-inch woofer and one 1.25-inch exit high frequency driver with 100 degree conical coverage. Drivers shall be connected to an integral crossover with a crossover frequency of 1 kHz and integral DYNA-TECH™ driver protection circuitry. There shall be two NL4-compatible locking connectors and one 2-screw terminal strip. The loudspeaker enclosure shall be solid birch plywood with a 16-gauge perforated steel grille and finished with black paint. The system shall have an amplitude response of 90 Hz to 16 kHz (+/- 4 dB), input capability of 40V RMS, 99 dB sensitivity at one meter and 2.83V / 8 ohms nominal impedance. The nominal dispersion shall be 100°H x 100°V from 500 Hz to 6 kHz. The loudspeaker shall be 10.8 in. (275 mm) H x 12.6 in. (321 mm) W x 16.5 in. (419 mm) D and weigh 22 lbs (10 kg).

Community strives to improve its products on a continual basis. Specifications are therefore subject to change without notice.