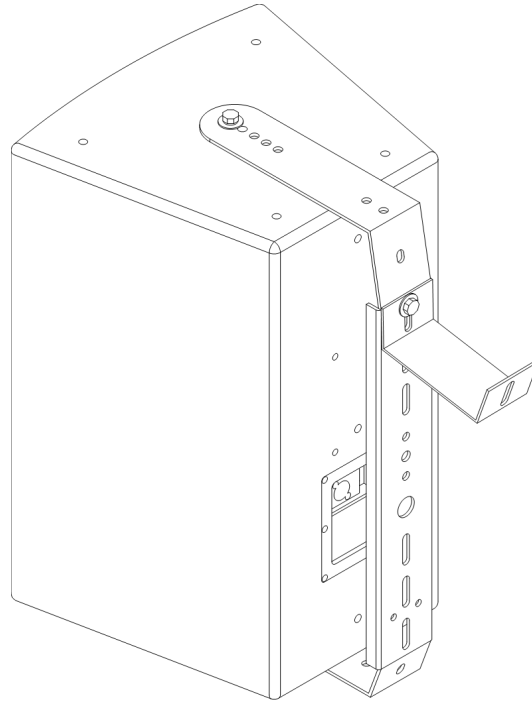


Community V Series Yoke Mounting Bracket (VB-Y)

Installation Guide



Models

VB-Y12
VB-Y15
VB-Y32
VB-Y35

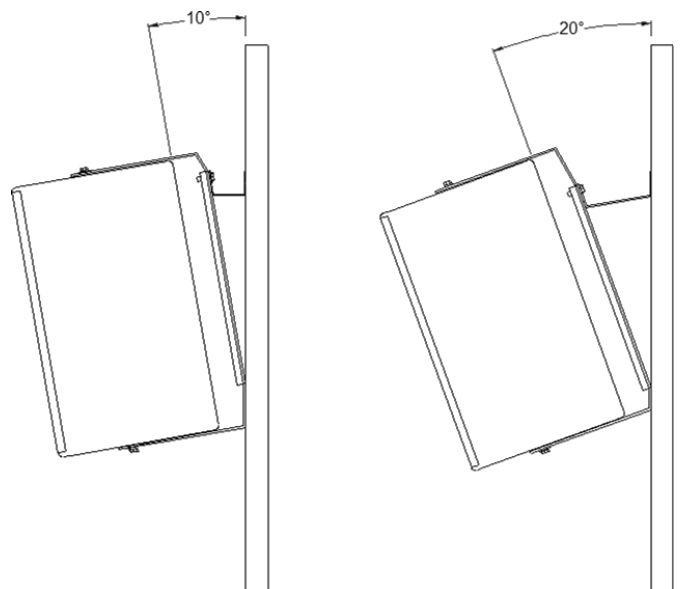
PRODUCT DESCRIPTION

Optional yoke brackets for the larger full-range models V2-12/15/32/35 allow for direct horizontal mounting of the loudspeaker to a wall or ceiling. This unique yoke bracket also permits vertical mounting with a selection of 0°, 10°, or 20°, of either upward or downward inclination.

Note: Yoke brackets are included with compact V2 models V2-6/8/26/28.

CONTENTS

Qty	Description
1	Metal Yoke Veris (appropriate size/color)
1	Metal Bracket Lg 10° Veris (color-matched)
1	Metal Bracket Lg 20° Veris (color-matched)
2	Washer 7/16" ID x 2" OD x 1/8"
3	10mm x 1.5mm x 30mm Hex Head Bolt
4	Flat washer 10mm
3	Lock washer 10mm
1	10mm x1.5mm Hex Nut Gr 5



Optional brackets provide 10° or 20° of down-tilt

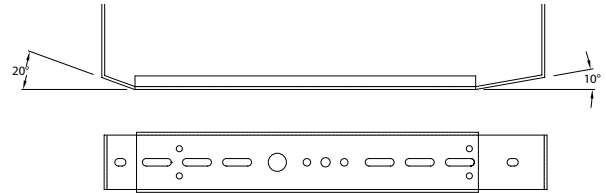
YOKE INSTALLATION

The yoke will be mounted to the center holes on both ends of the loudspeaker. Determine if a down-tilt will be needed as this defines the orientation of the yoke when mounted vertically. If mounted flat or horizontally, the 10°/20° brackets aren't needed, and yoke orientation doesn't matter.

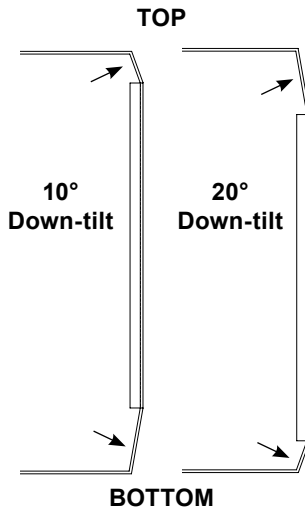
1. Orient the yoke as shown for the expected down-tilt if mounting vertically. Attach the yoke to center mounting holes as shown in both the exploded drawing below and the assembly at right.

Note: A lower profile solution can be achieved by using holes further in on the yoke ends, but will reduce pan angles.

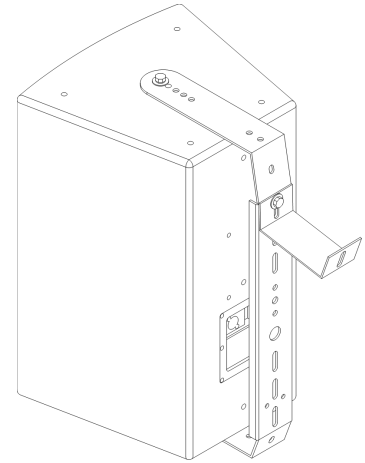
2. If mounting vertically with a down-tilt, attach the appropriate bracket (either 10° or 20°) to the top slot in the yoke back.
3. Attach the loudspeaker to the structure (hardware not provided).



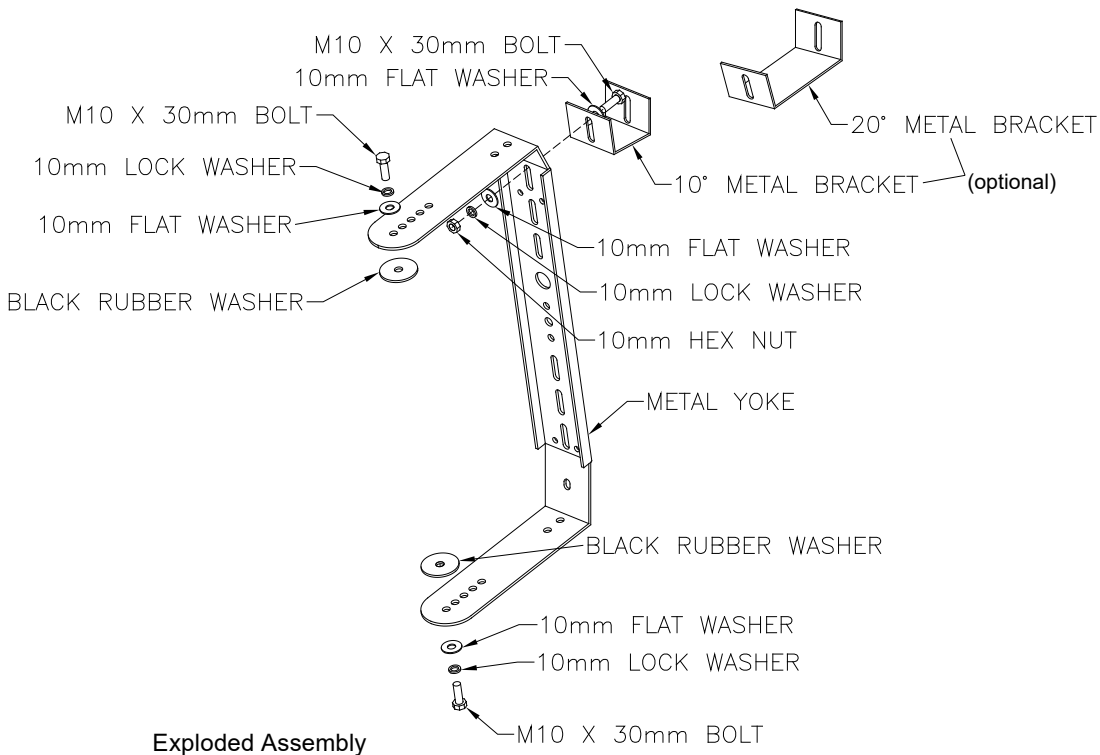
Typical yoke profile



Yoke orientation for 10° or 20° down-tilt



V2-12 with yoke attached (shown with 20° bracket)



Exploded Assembly

CONTACT US

Email: support@biamp.com

Web: support.biamp.com

Warranty: biamp.com/legal/warranty-information

Safety & Compliance: biamp.com/compliance



CAUTION: Installation of V SERIES loudspeakers should only be performed by trained and qualified personnel. It is strongly recommended that a licensed and / or certified professional structural engineer (P.E.) approve the mounting. Severe injury and/or loss of life may occur if this product is improperly installed.