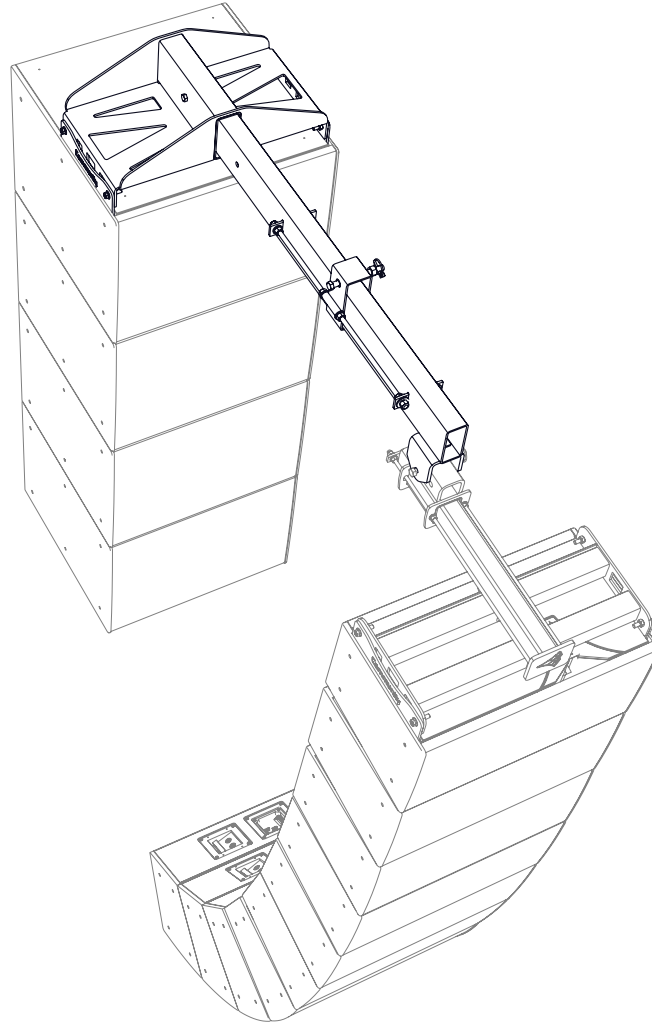


COMMUNITY I SERIES

IV6-SB-AF

for Indoor
IV6 Modular Vertical Arrays



IV6 Sub Behind Array Frame
(shown with subs and attached to an IV6-GP-AF array)

The IV6 Rigging Frames, Accessories and Safety Guide (a complete set of instructions including all of the IV6 indoor rigging frames, accessories and information) is available on the Biamp website <[here](#)>

IMPORTANT: *The Instructions, and illustrations in this manual are to be used with INDOOR IV6 cabinets/models only. The IV6-WR loudspeakers differ in width and mounting points and will NOT fit this array frame. Contact Biamp's [Loudspeaker Support Group](#) for information regarding mounting options for WR (outdoor) IV6 loudspeakers.*

IMPORTANT SAFETY INSTRUCTIONS

Always follow these basic safety precautions when using or installing I SERIES loudspeakers and accessories:

- Read these instructions prior to assembly, and keep for reference.
- Heed all warnings.
- Follow all instructions, particularly those pertaining to rigging, mounting, hanging and electrical connections.
- Do not use this apparatus near water (indoor models only).
- Clean only with dry cloth.
- Do not block any ventilation openings. Install in accordance with the manufacturer's instruction.
- Do not install near any heat sources such as radiators, heat registers, stoves, or other apparatus (including amplifiers) that produce heat.
- Only use attachments and accessories that are specified and approved by the manufacturer.

Refer all servicing to qualified service personnel. Servicing is required when the apparatus has been damaged in any way, does not operate normally, or has been dropped.

The terms caution, warning, and danger may be used in this manual to alert the reader to important safety considerations. If you have any questions or do not understand the meaning of these terms, do not proceed with installation. Contact your local dealer, distributor, or call Biamp directly for assistance. These terms are defined as:



CAUTION: describes an operating condition or user action that may expose the equipment or user to potential damage or danger.



WARNING: describes an operating condition or user action that will likely cause damage to the equipment or injury to the user or to others in the vicinity.



DANGER: describes an operating condition or user action that will immediately damage the equipment and/or be extremely dangerous or life threatening to the user or to others in the vicinity.

RIGGING and ELECTRICAL SAFETY



IMPORTANT: IV6 loudspeakers are designed and intended to be mounted to differing indoor building surfaces using a variety of rigging hardware, means and methods. Installation of loudspeakers should only be performed by trained and qualified personnel. It is strongly recommended that a licensed and certified professional structural engineer approve the mounting plan. Severe injury and/or loss of life, and property damage may occur if these products are improperly installed.



DANGER: All rigging fittings must be fully tightened and secured. Any missing fasteners will compromise the structural integrity of the enclosure and constitute a safety hazard. Do not suspend any loudspeakers unless all fasteners are securely in place!



DANGER: It is possible to experience severe electrical shock from a power amplifier. Always make sure that all power amplifiers are in the "OFF" position and unplugged from an AC Mains supply before performing electrical work.



CAUTION: Installation of I SERIES loudspeakers should only be performed by trained and qualified personnel. It is strongly recommended that a licensed and certified professional structural engineer approve the mounting. Severe injury and/or loss of life may occur if this product is improperly installed.

UNPACKING / INSPECTION

Community I SERIES rigging accessories are engineered and manufactured to be rugged and they are carefully packed in sturdy cartons. However, it is recommended to thoroughly inspect each unit after it has been removed from the packaging, as damage could occur during shipping.

Please note that once the shipment has left your dealer or the Biamp factory, the responsibility for damage is always borne by the freight company. If damage has occurred during shipping, you must file a claim directly with the freight company. It's very important to contact the freight company as soon as possible after receiving your shipment, as most freight companies have a short time limit within which they will investigate claims. Make sure to save the carton and the packing material, as most claims will be denied if these materials are not retained. Your Biamp dealer and the factory will try to help in any way they can, but it is the responsibility of the party receiving the shipment to file the damage claim.

It is always a good idea to retain the carton and packing materials, if possible, in the event that the unit may need to be returned to your dealer or distributor for repair in the future.



WARNING: I SERIES rigging fittings are rated at Working Load Limits (WLL) with a 10:1 safety margin. All mounting provisions on the IV6 cabinets meet or exceed the 10:1 safety margin to support the cabinet when used with the specified mounting brackets, either from Biamp or designated 3rd party vendors.

Disregarding and/or exceeding the safe working load limits could result in injury or death!

TOOLS NEEDED FOR ASSEMBLY:

- Metric socket and ratchet set
- Metric wrench set
- Phillips screwdriver

SYSTEM DESIGN

All system designers incorporating IV6 arrays are encouraged to use EASE® Focus 3 (EF3) from AFMG to model the array(s). A link to the latest version is available on our website. Download the latest IV6 GLL file to utilize our customized VenuePolar™ module. Our exclusive VenuePolar module makes building the array, optimizing the coverage, and determining the loads and load safety factor easy. Once built, the system report option creates a convenient PDF printout documenting the array components, the optimization/attenuation settings for the loudspeakers and simplifies ordering.

The custom Rigging Safety Calculator (RiSC) (located in the VenuePolar module "Loads" tab) automatically populates and updates in real-time as an array is built and aimed. Refer to the "IV6 System Design and Installation Manual" for instructions and explanations about system design with our custom VenuePolar module in EASE® Focus 3 and array assembly.

EASE® and AFMG® are registered trademarks of AFMG Technologies GmbH.

ACCEPTABLE MOUNTING POINT LOADING

Use the "Loads" tab to ensure the rigging's Safe Working Load (SWL) and required Safety Factor are not exceeded. Additional RiSC information is available in the "IV6 Rigging Frames, Accessories and Safety Guide". The system should be modeled in EF3 prior to ordering, and the system design report generated should also be utilized when installing / assembling the array. The software and system information is available on the website (search for IV6). Use the QR code in the upper right corner of this page for a link to the IV6 downloads page.

For sub-behind applications use the "IV6 Sub Behind Hang Point Calculator" to ensure proper deployment of the IV6-SB-AF bracket. It is available from the IV6 "Accessories" section on the website.

INSTALLATION AND ASSEMBLY TIPS

- Test all cabinets before hanging
- Arrange cabinets in the order that they will hang, and loosely attach appropriate splay brackets to the top of each cabinet
- Preset attenuation settings per the EASE® Focus 3 model on each cabinet
- If using the IV6-SB-AF, adjust the carriage on the array frame to the suggested pin setting before attaching the loudspeakers
- Orient cabinets so the horns align along the length of the array - this also aligns the input panels for easy wiring
- Leave splay bracket connections slightly loose until all cabinet connections are made, then tighten evenly



IMPORTANT: The hex head Grade 10.9 rigging bolts that are used to secure the splay brackets must also fill any unused holes (at the bottom of a flown array or at the top and bottom of a ground stack) to seal the enclosure from air leaks. If those threaded holes are not sealed, air leaks will occur in the enclosure that will compromise the low-frequency performance with distortion, reduced output, and premature driver failure.



bia.mp/IV6_pubs

Safety Cable

The safety cable and associated hardware are not included. Consult all applicable codes for your application. Confer with a structural engineer for the appropriate cable/hardware for the load, application and locale. If required, the safety cable must be secured to a suitable load-bearing point separate from the array mounting point, with as little slack as possible, so as not to develop undue kinetic force if the primary array mount were to fail.

Light Array Frame (IV6-LAF-PBB)

When required, a secondary safety cable can be attached to an unused hole(s) on the LAF.

GlidePoint™ Array Frame (IV6-GP-AF)

A secondary safety cable mounting point is available from [PolarFocus](http://PolarFocus.com). Part number: RLP-X2-1800

Sub Behind Array Frame (IV6-SB-AF)

Contact PolarFocus, for a quote for a custom secondary attachment point(s) required for your particular application.

SUB BEHIND ARRAY FRAME

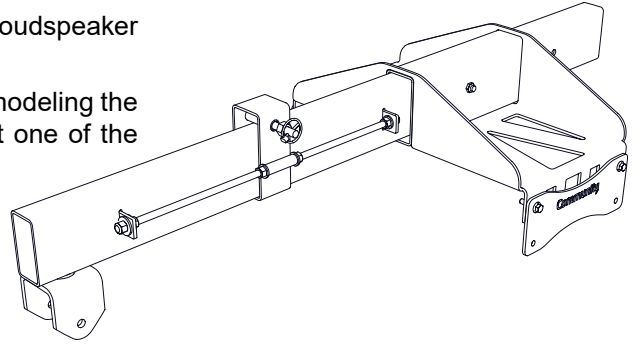
Hang up to eight (8) IV6 subwoofers behind the main indoor array

APPLICATION: Connect to and suspend subwoofers behind a loudspeaker array.

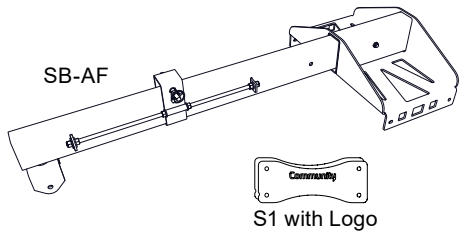
Before assembly: Determine the weight of the main array (from modeling the system in EASE® Focus 3). Connect S1 splay brackets to all but one of the subwoofers - that one will be mounted to the IV6-SB-AF.

Tips:

- The mounting frame is preinstalled at the rear position
- Using the rear position will better counterbalance the weight of a larger main array
- **⚠ IMPORTANT:** *The IV6-SB-AF must always hang level.* Use the Sub-behind Hang Point Calculator to help determine both the mounting frame position and the carriage location.
- When building the main array along with the sub-behind array, the main array can be rotated (up to 90°) to prevent the cabinets from potentially hitting while lifting the assembly and adding to the length of the array.



Parts:



IV6-SB-AF

SB-AF: Sub Behind Array Frame (1)

S1 w/ Logo: Splay brackets w/wordmark (2)

Hardware:

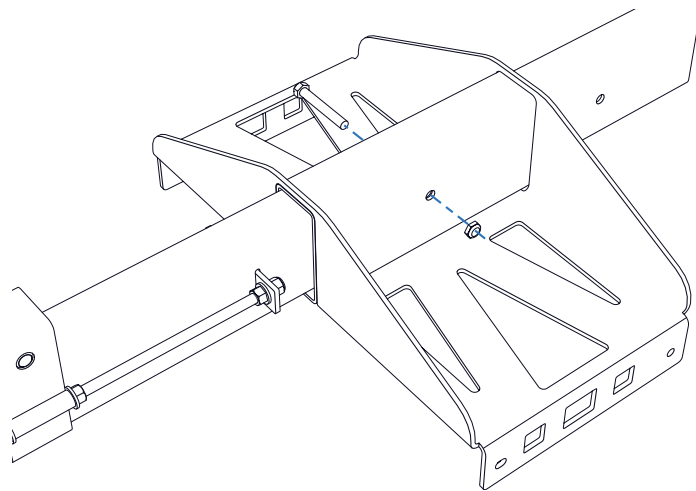
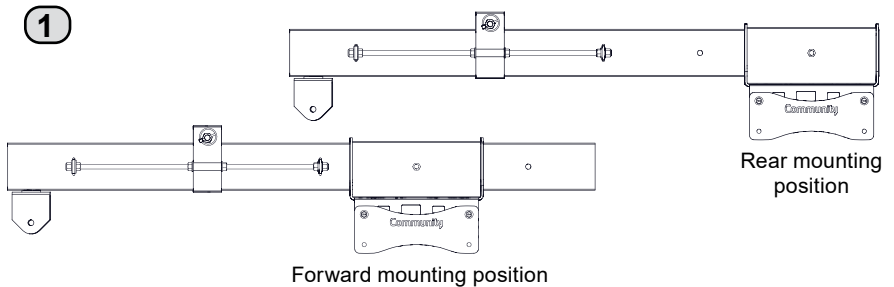
Qty	Code	Description
4	HHB-F	Grade 10.9 Flanged Hex Head Bolts
4	HN-F	Flanged Nuts
1	C-HB	Carriage Hex Bolt
1	C-HN	Carriage Hex Nut
1	LR	Locking Ring

Kit Weight: 108.0 lbs (49.0 kg)

Working Load Limit: 2000 lbs (907.2 kg)
(10:1 safety factor)

ASSEMBLY

1. Move the sub mounting frame to the forward position if only 1-2 subwoofers are being mounted.



SB-1. Determine sub mounting position
(Reposition frame, forward if needed, using installed bolt/nut)



IMPORTANT: Leave bracket hardware slightly loose until the cabinet is attached to the brackets. This allows cabinet to fit between the brackets easily. Then fully tighten all bolts. Do not place under load until connections are tight!

SUB BEHIND ARRAY FRAME (CONTINUED)

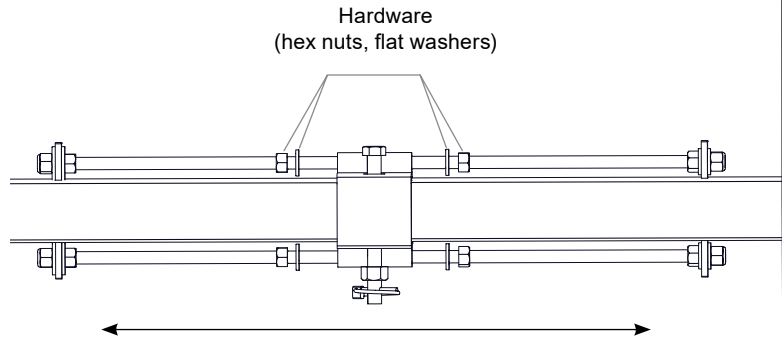
ASSEMBLY (CONTINUED)

2. Move the carriage to the suggested hang point distance so that the frame will hang level under load. Refer to the *Sub-behind hang point calculator* included in the *Manuals and Tools* zip file. (IV6 Downloads) The hang point distance is measured from the front of the frame to the lift hole in the carriage.

3. Using the 10.9 flanged bolts and nuts, loosely attach the S1 brackets to the array frame with the Community name facing out.

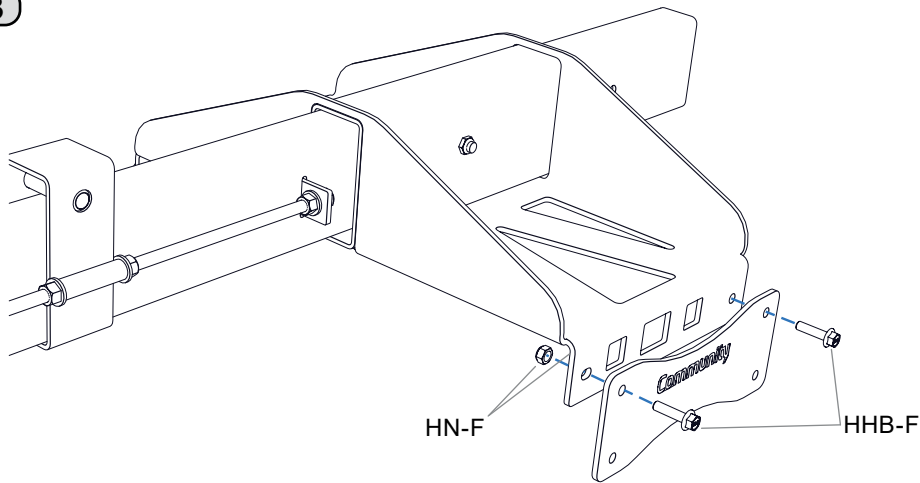
4. If using the PY1-EN750-1550 lift point, attach it to the carriage with the included carriage hex bolt and secure with the hex nut and locking ring.

2



SB-2. Loosen nuts in the direction the carriage has to go, move carriage to designated position, and tighten hardware

3

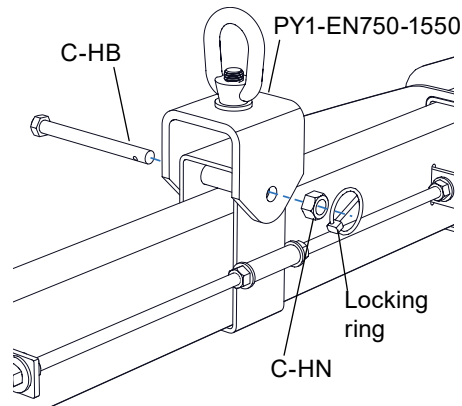


SB-3. Loosely connect the splay brackets to the array frame



Final Step. After the carriage is in its final position (and the system is aimed), **one at a time**, loosen each hex nut securing the carriage a few threads, apply a drop of red thread-locking compound, and re-tighten the nut. Repeat for each of the 4 hex nuts securing the carriage on the threaded rods. This will help prevent movement of the carriage over time.

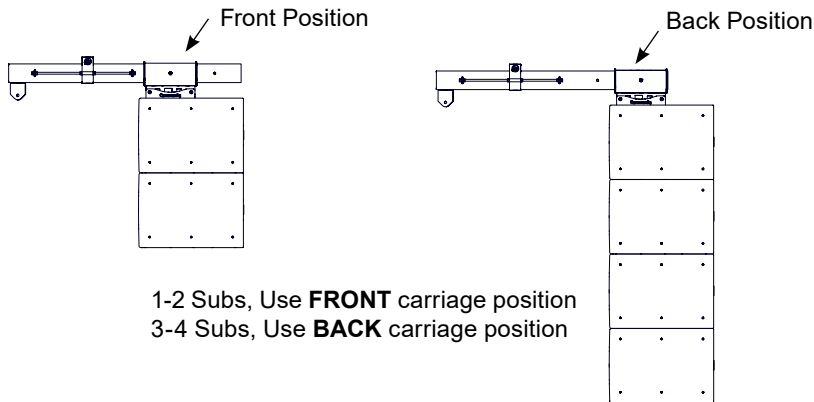
4



SB-4. Attach Lift Point to carriage hang point

SUB BEHIND HANG POINT CALCULATOR

Biamp provides an easy calculation tool to determine where the hang point should be located based upon the full weight of the main array when attached to the Sub Behind Array frame so that the SB-AF stays level. This tool calculates the distance for 1-4 subwoofers. The tool is included in the "IV6 Manuals and Tools (All)" zip file, and is available [here](#) in the manuals section of the IV6 product page on the Biamp website.



VenuePolar Rigging

Start Array Loads

Single Hang at Pinpoint 36 (Offset = 0.11')

Pinpoint: 36

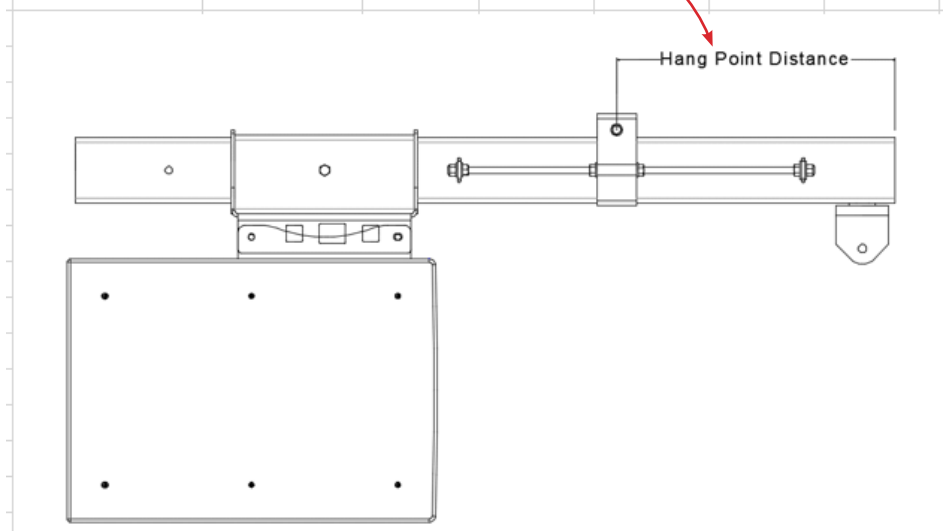
Desired Safety Factor: 10 : 1

	Name	Front Load	Back Load	Safety Factor
0:	IV6-GP-AF	522.93 lb		24:1
1:	IV6-1122/15	72.17 lb	293.69 lb	27:1
2:	IV6-1122/15	98.58 lb	283.57 lb	28:1
3:	IV6-1122/15	93.71 lb	234.76 lb	34:1
4:	IV6-1122/15	68.53 lb	166.08 lb	48:1
5:	IV6-1122/15	39.39 lb	94.26 lb	84:1
6:	IV6-1122/15	15.36 lb	34.85 lb	229:1

Show only lowest safety factor

1. Retrieve the weight of the main array from Line 0 of the "Loads" tab in EASE® Focus 3 (EF3), or from the Loads section of the EF3 project report for that array. Enter that value into the cell, and select lbs or kg.
2. Choose the sub configuration from the drop down list.
3. Record the carriage location and hang point distance (inches or cm) for use during installation.

Sub Behind Hang Point Calculator	
FR Array	522.93 lbs
Sub Config	2 Subs, Front
Hang Point dist.	50.3 cm
Safety Factor	25.4 :1



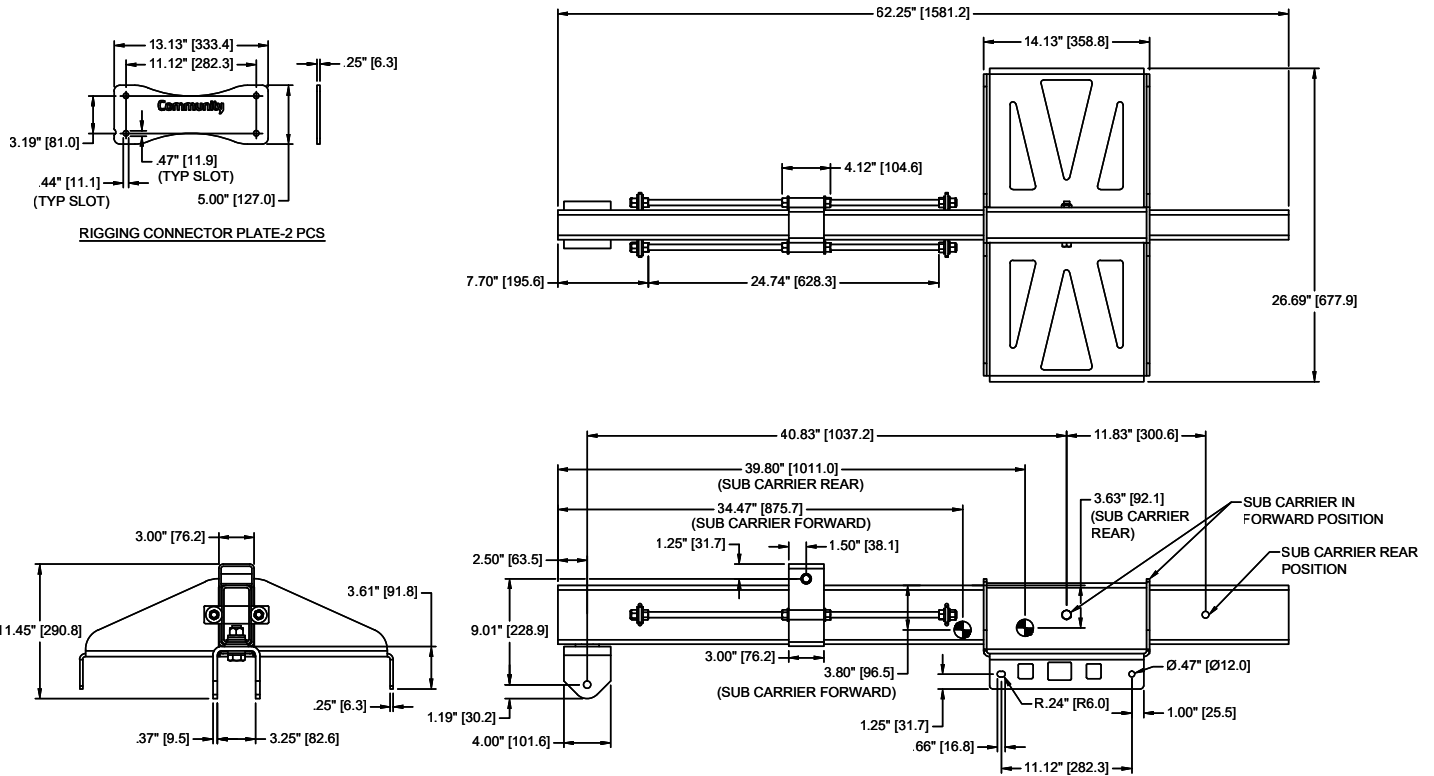
WARNING: The Sub-Behind Hang Point Calculator should not be used with arrays that include a Pull Back bar (IV6-LAF-PBB) at the bottom of the array. The calculator will not produce accurate results when a pull back bar is in use.

NOTE: If you require assistance designing an IV6 Array, please contact our Loudspeaker Applications Group: communitysupport@biamp.com

Figure SB-5. Sub Behind Hang Point Calculator

TECHNICAL DRAWING

IV6-SB-AF



WEIGHTS

LOUDSPEAKERS <i>(includes 1 pair splay brackets)</i>	<i>Indoor [lbs (kg)]</i>	<i>Outdoor / WR [lbs (kg)]</i>
IV6-1122/05	77.3 (35.1)	62.5 (28.3)
IV6-1122/15	73.5 (33.3)	59.1 (26.8)
IV6-118S	132.9 (60.3)	99.3 (45.0)
ACCESSORIES <i>(available from Biamp)</i>	<i>Weight Indoor [lbs (kg)]</i>	<i>Working Load Limit [lbs (kg)]</i>
IV6-GP-AF	76 lbs (34.5kg)	1300 lbs (589.7 kg)
IV6-LAF-PBB	23 lbs (10.4kg)	850 lbs (385.6 kg)
IV6-SB-AF	108.0 (49.0)	2000 lbs (907.2 kg)
IV6-LAU	13.5 lbs (6.1 kg)	500 lbs (226.8 kg)
PY1-EN750-1550	6 lbs (2.7 kg)	1550 lbs (703.1 kg)

Caution: *Installation of loudspeakers should only be performed by trained and qualified personnel. It is strongly recommended that a licensed and certified professional structural engineer approve the mounting design.*

CONTACT US

Email: support@biamp.com or CommunitySupport@biamp.com

Web: support.biamp.com

Warranty: biamp.com/legal/warranty-information

Note: Every effort has been made to insure that the information contained in this manual was complete and accurate when printed. However, due to ongoing technical advances, changes or modifications may have occurred that are not covered in this manual. The latest version is available at on the Biamp website <[here](#)>

