

V SERIES

VERIS 2 VERTICAL YOKES



VB-VY6, VB-VY8, VB-VY26, VB-VY28, VB-VY12, VB-VY15, VB-VY32, VB-VY35

Vertical Yoke Mounting Kits for VERIS 2 Loudspeakers

Each full-range model in the VERIS 2 family has a dedicated Vertical Yoke for use with its cabinet size, allowing precise installation of the enclosure from an overhead yoke with up to 90° of vertical down-tilt. Eight vertical yoke sizes are available for use with their corresponding loudspeaker.

Small Vertical Yokes

Vertical Yoke Part No:	For use with VERIS 2 model:
VB-VY6	V2-6, V2-6T
VB-VY8	V2-8, V2-8T
VB-VY26	V2-26, V2-26T
VB-VY28	V2-28, V2-28T

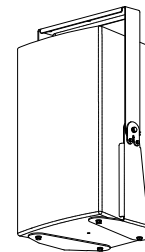
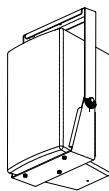
Large Vertical Yokes

Vertical Yoke Part No:	For use with VERIS 2 model:
VB-VY12	V2-1264, V2-1296
VB-VY15	V2-1564, V2-1596
VB-VY32	V2-3264, V2-3294
VB-VY35	V2-3564, V2-3594

Small VERIS 2 loudspeakers V2-6, V2-8, V2-26 and V2-28 share the same vertical yoke design ("Small Vertical Yokes"), while large VERIS 2 loudspeakers V2-12, V2-15, V2-32 and V2-35 share the same vertical yoke design ("Large Vertical Yokes"). All VERIS 2 Vertical Yokes are capable of providing two axes of motion, horizontal rotation and vertical tilt, if installed using a single center attachment bolt. The yoke bracket has a single mounting hole with an aiming angle guide printed directly onto the bracket for fast and convenient location of specific aiming angles.

VERIS 2 Vertical Yokes are engineered to provide a high margin of safety when supporting the correct VERIS 2 loudspeaker. Yokes are manufactured of steel, covered with a durable powder-coat finish, and are available in either black or white to match the color of the enclosure.

All yoke brackets are provided with the hardware required to attach them to the loudspeaker enclosure. No hardware is provided to attach the yoke bracket to the mounting surface. Such hardware must be supplied by the installer and should be sized and rated for the weight load of the loudspeaker, keeping in mind that additional torque load may occur when focusing the loudspeaker within the yoke assembly. The installer is solely responsible for determining if the mounting surface is capable of safely supporting the weight load of the loudspeaker, and for selecting appropriate hardware to install it.



Parts List

Small Vertical Yokes

VB-VY6, VB-VY8, VB-VY26, VB-VY28

Vertical Yoke	1
Vertical Yoke Bracket	1
M6 35 mm Bolt	3
M6 Flat Washer	3
M6 Split Lock Washer	3
M10 30 mm Bolt	2
M10 Flat Washer	4
M10 Split Lock Washer	2
M10 Hex Nut	2

Large Vertical Yokes

VB-VY12, VB-VY15, VB-VY32, VB-VY35

Vertical Yoke	1
Vertical Yoke Bracket Right	1
Vertical Yoke Bracket Left	1
Vertical Yoke Clamp Bracket	2
M6 25 mm Bolt	4
M6 Flat Washer	8
M6 Split Lock Washer	4
M6 Hex Nut	4
M10 30 mm Bolt	2
M10 Flat Washer	8
M10 Split Lock Washer	6
M10 Hex Nut	2

The installer must supply all other hardware for the installation.



WARNING: VERIS 2 rigging fittings are rated at a Working Load Limit of 100 lbs (68 kg) with a 10:1 safety margin. No single rigging fitting should ever be subjected to a load that is greater than 100 lbs. When multiple enclosures are suspended one above the other, it is the installer's responsibility to insure that the combined weight load does not exceed the Working Load Limit on any one rigging fitting. This is particularly important if the enclosures are angled steeply downward (or upward), as most or all of the weight may be supported by the rear (or front) points only. Failure to heed this warning could result in injury or death!

Small Vertical Yoke Assembly Instructions

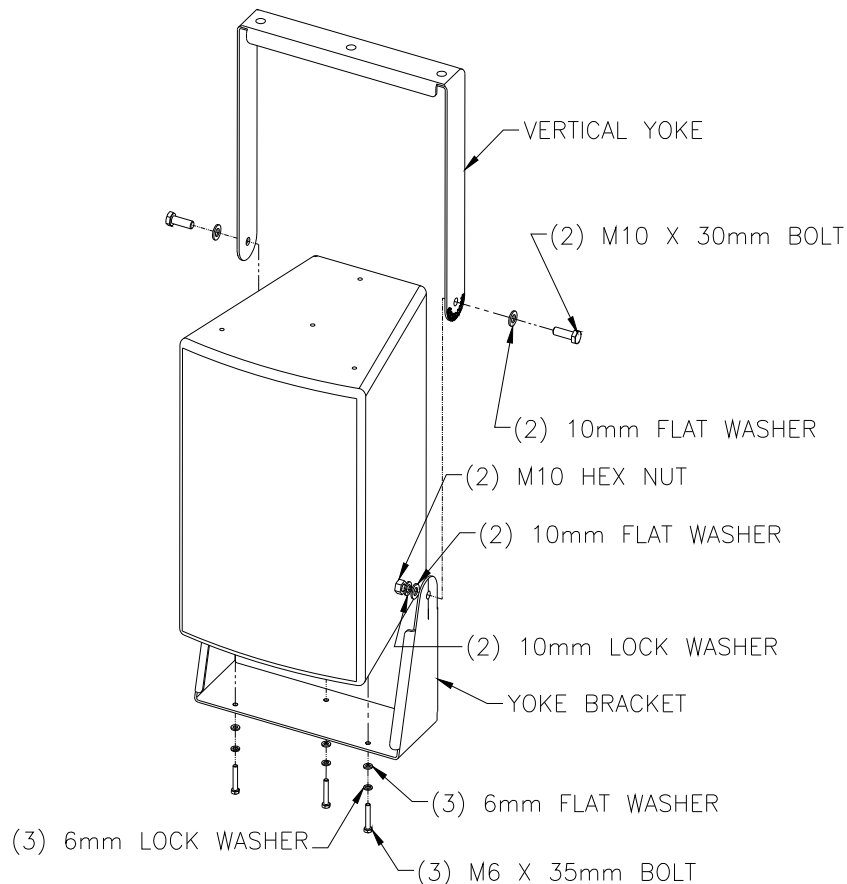
1. First remove three flat-head Allen screws from the rigging points located at the center and two forward-most rigging points on the bottom of the enclosure.
2. Next attach the Vertical Yoke Bracket to the bottom of the enclosure using the provided M6 bolts, washers and split lock washers. Tighten these bolts to 15 ft-lbs using a torque wrench. Do not overtighten!
3. Attach the yoke to the mounting surface. No hardware is provided for this purpose. Such hardware must be supplied by the installer, and should be rated for the weight load of the enclosure. The installer is solely responsible for determining if the hardware used to mount the yoke is adequately sized and rated, and if the structure it is attached to is capable of safely supporting the weight load of the enclosure.
4. Next, attach the Vertical Yoke to the Vertical Yoke Bracket using the two provided M10 x 30mm bolts and M10 nuts, fitted with lock washers and flat washers. Insert each bolt through the Vertical Yoke, then through the Vertical Yoke Bracket. Tighten the fasteners until snug. After focusing the loudspeaker in the desired position, the bolts should be tightened to a torque of 12 to 15 ft-lbs, using a torque wrench. Do not overtighten!

NOTE: Each Vertical Yoke has a down-angle aiming gauge printed directly onto the rotational end of the bracket to help locate specific aiming angles. Each Vertical Yoke Bracket has a corresponding pointer line that will indicate the angle at which the enclosure is aimed, assuming that the Vertical Yoke is mounted in a flat vertical orientation.



WARNING: Use the provided hardware to attach the Vertical Yoke Bracket to the enclosure and for joining the Vertical Yoke to the Vertical Yoke Bracket.

Figure 1: Small Vertical Yoke Assembly



Large Vertical Yoke Assembly Instructions

1. First remove the four flat-head Allen screws from the rigging points located at the outer edges on the bottom of the enclosure (4 total).
2. Next attach the Left and Right Vertical Yoke Brackets to the bottom of the enclosure on their respective sides using the provided M10 bolts, washers and split lock washers (2 each per bracket). Tighten these bolts to 15 ft-lbs using a torque wrench. Do not overtighten!

NOTE: Left and Right refer to "Stage Left" and "Stage Right" with the installer facing the same direction as the front of the loudspeaker.

After mounting is complete, the arms of the Vertical Yoke Brackets must be parallel to each other on opposite sides of the enclosure. If they are not parallel, the Vertical Yoke Brackets may have been installed on the wrong sides; swap places of the brackets and try again.

3. Attach the Vertical Yoke to the mounting surface. No hardware is provided for this purpose. Such hardware must be supplied by the installer, and should be rated for the weight load of the enclosure. The installer is solely responsible for determining if the hardware used to mount the yoke is adequately sized and rated, and if the structure it is attached to is capable of safely supporting the weight load of the enclosure.
4. Next, attach the Vertical Yoke and Vertical Yoke Clamp Brackets to the Vertical Yoke Brackets. Two (2) M10 x 30mm bolts, nuts, washers and lock washers will be used as the main suspension and rotation points. Four (4) M6 x 25mm bolts, nuts, washers and lock washers will be used to tighten the Clamp Bracket against the Yoke to prevent rotation of the loudspeaker after installation.

Referring to Figure 3, insert each M10 bolt through the Clamp Bracket, then the Vertical Yoke, then through the Vertical Yoke Bracket. Temporarily, gently tighten the M10 fasteners. Insert the M6 bolts through the Clamp Bracket, and then through the Vertical Yoke bracket. Temporarily, gently tighten the M6 fasteners.

After focusing the loudspeaker in the desired position, the M10 bolts should be tightened to a torque of 12 to 15 ft-lbs, using a torque wrench (Do not overtighten!). Then, the four (4) M6 bolts should be tightened to a torque of 12 to 15 ft-lbs, using a torque wrench to help prevent rotation of the loudspeaker due to gravitational forces (Do not overtighten!).

NOTE: Each Vertical Yoke has a down-angle aiming gauge printed directly onto the rotational end of the bracket to help locate specific aiming angles. Each Vertical Yoke Bracket has a corresponding pointer line that will indicate the angle at which the enclosure is aimed, assuming that the Vertical Yoke is mounted in a flat vertical orientation. The aiming gauge can be viewed by looking through the "V-Shaped" slot on the Clamp Bracket (see Figure 2).



WARNING: Use the provided hardware to attach the Vertical Yoke Bracket to the enclosure and for joining the Vertical Yoke to the Vertical Yoke Bracket.

Figure 2: Large Vertical Yoke Aiming Gauge

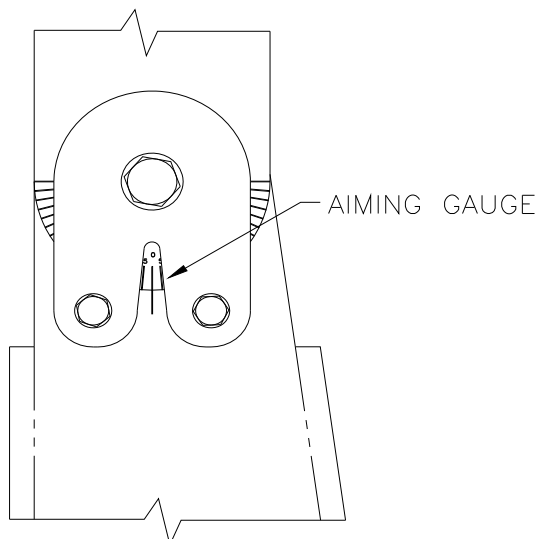


Figure 3: Large Vertical Yoke Assembly

