



INCREASE  
MOUNTING  
PATTERNS TO  
VESA 200

# BT7542

## INTERFACE ADAPTOR ARMS FOR VESA®

### 200 X 100 & 200 X 200

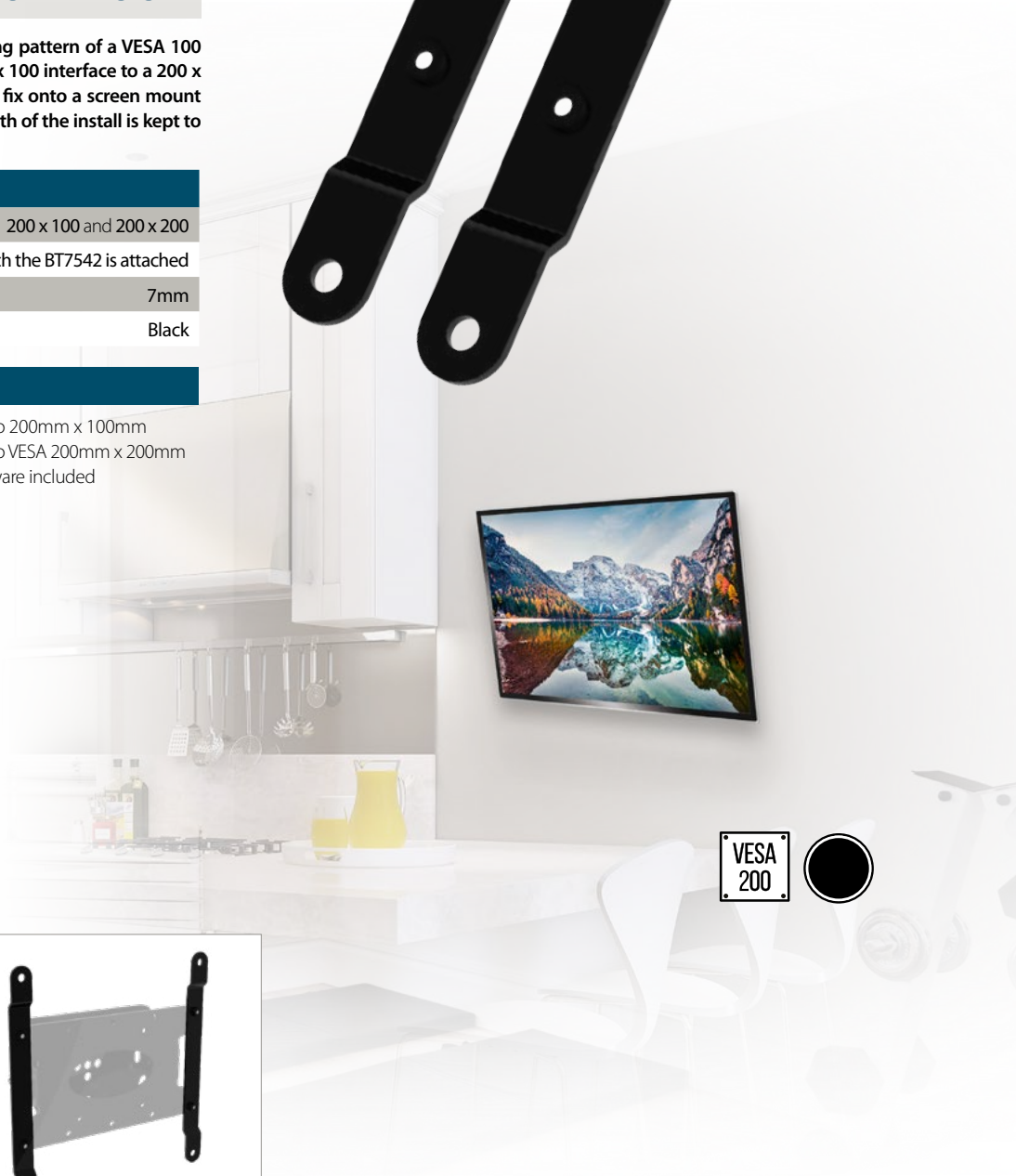
Designed to increase the screen mounting pattern of a VESA 100 interface to 200 x 100mm or a VESA 200 x 100 interface to a 200 x 200mm. The BT7542 adaptor arms easily fix onto a screen mount with the slimline design ensuring the depth of the install is kept to a minimum.

#### SPECIFICATION

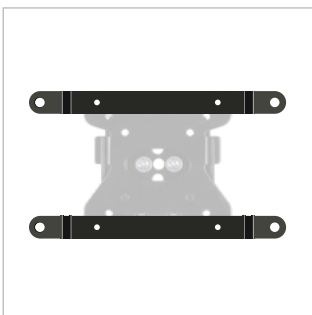
VESA® compatibility	200 x 100 and 200 x 200
Max load	dependent on mount to which the BT7542 is attached
Depth increase to the install	7mm
Colour	Black

#### FEATURES

- Convert VESA 100mm x 100mm mounts to 200mm x 100mm
- Converts VESA 200mm x 100mm mounts to VESA 200mm x 200mm
- Simple installation with all mounting hardware included



VESA  
200



Attaches to VESA 100 interfaces to increase capacity to VESA 200 x 100



Attaches to VESA 200 x 100 interfaces to increase capacity to VESA 200 x 200

