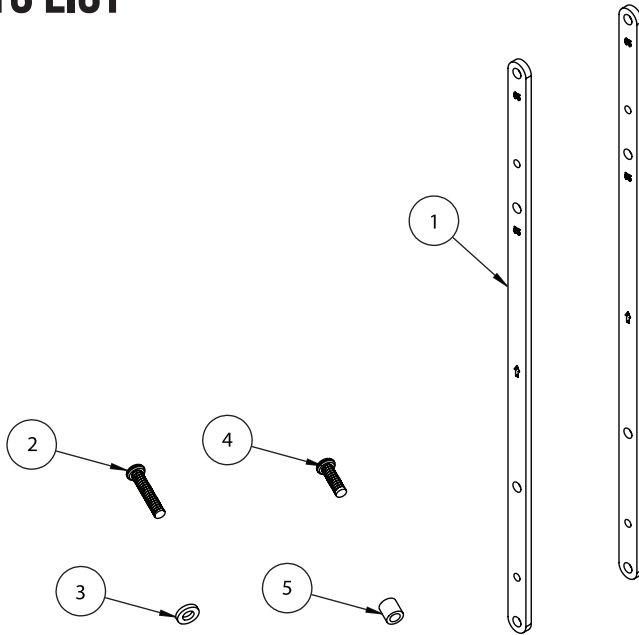


BT7550-SF2

INTERFACE ADAPTOR ARMS FOR SAMSUNG® FLIP 2

PARTS LIST



ITEM	DESCRIPTION	QTY
1	ADAPTORS ARMS	2
2	M8 x 40mm SCREW	4
3	M8 PLASTIC WASHER	4
4	M8 x 25mm SCREW	4
5	M8 METAL SPACER	4

• 400mm interface adaptors for use with a B-Tech rotating mount and a Samsung 55" or 65" Flip Screen



INSTALLATION SAFETY INSTRUCTIONS



CAUTION: This product is intended for use only with the maximum weights indicated. Use with equipment heavier than the maximum indicated may result in instability causing possible injury.

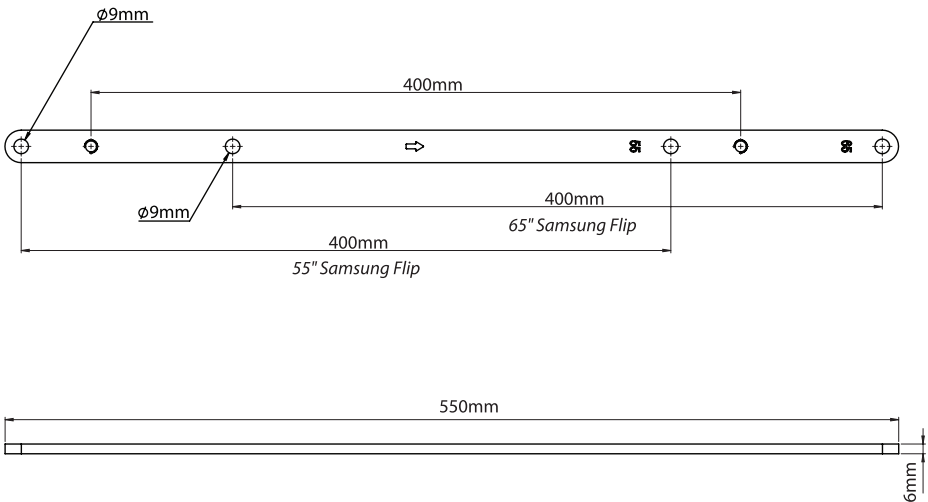
B-Tech AV Mounts, its distributors and dealers are not responsible for damage or injury caused by improper installation, improper use, modifications, installations over the specified weight capacity and/or failure to observe these safety instructions. In such cases, any warranty will expire.

It is recommended that this product should only be installed by a qualified professional / installer. B-Tech AV Mounts does not claim any liability for any difficulties that may arise from the interpretation contained in these instructions. Failure to mount this product correctly may lead to serious injury and/or death.

Please check carefully to make sure there are no missing or defective parts - defective parts must never be used. In the event of missing and/or defective parts, or technical questions, please contact an authorised dealer. Pay careful attention to where this product is located, some locations are not suitable for installation. For indoor use only. It is recommended that periodic inspections of the product are made as frequently as possible to ensure that safety is maintained. *Please keep these instructions for future reference.*

BT7550-SF2 DIMENSIONS

PLEASE KEEP THIS FOR FUTURE REFERENCE

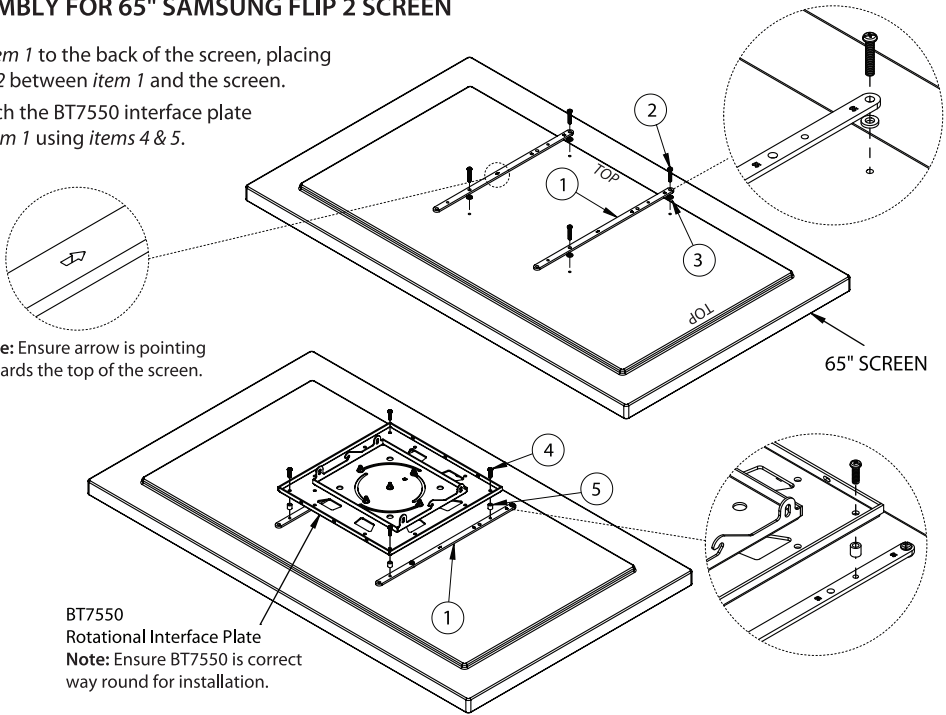


THESE INSTRUCTIONS ARE INTENDED AS A GUIDE ONLY AND B-TECH ACCEPTS NO LIABILITY FOR THE ACCURACY OF THE INFORMATION CONTAINED IN THIS DOCUMENT.

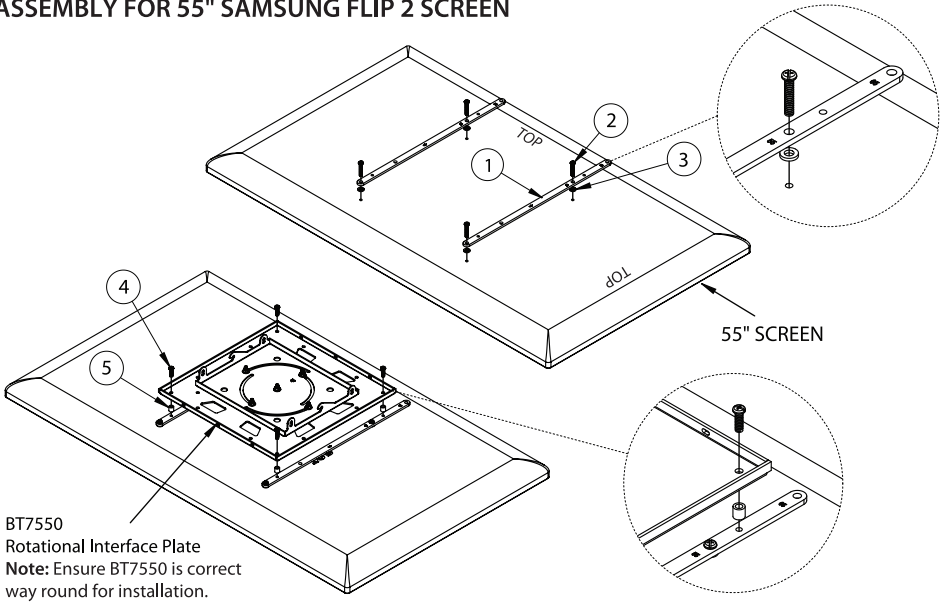
INSTALLATION INSTRUCTIONS

ASSEMBLY FOR 65" SAMSUNG FLIP 2 SCREEN

- i. Fix *Item 1* to the back of the screen, placing *item 2* between *item 1* and the screen.
- ii. Attach the BT7550 interface plate to *item 1* using *items 4 & 5*.



ASSEMBLY FOR 55" SAMSUNG FLIP 2 SCREEN





CONTACT:

info@btechavmounts.com

©2021 B-Tech International Design and Manufacturing Ltd. All rights reserved.
B-Tech AV Mounts is a division of B-Tech International Design and Manufacturing Ltd.
B-Tech AV Mounts and the B-Tech logo are registered trade marks.
All other brands and product names are trademarks of their respective owners.
Photographs are for illustrative purposes only. E&OE.

AMA-BT7550-SF2-V1-0921-201 MADE IN THE UK

