



TOOL-LESS
 TILT
 ADJUSTMENT

BT7866

CAMERA SHELF WITH TILT

The BT7866 is a camera shelf designed to mount a web or conference camera to the top of a flat screen TV. Tool-less tilt adjustment of the mount allows the attached camera to be angled at the ideal position to accommodate all conference participants.

SPECIFICATION

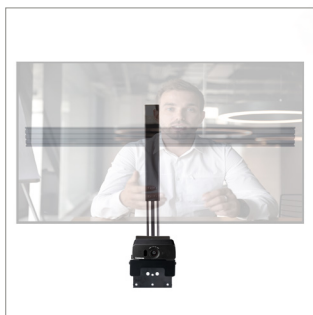
Max load	1kg
Tool-less tilt adjustment	+25°
Shelf dimensions	W: 122mm x D: 106mm
Steel thickness	1.5mm
Colour	Black

FEATURES

- Designed to mount a camera directly to the top of a flat screen TV
- Shelf can be positioned flat or with a downward tilt
- Can also be mounted to System X rails / columns or B-Tech accessory collars for pole mounting
- Use a **BT7052 / BT7841** collar with Ø50mm poles or a **BT7260** collar with a Ø60mm pole (all sold separately)
- Includes UNC screw ideal for mounting webcams
- Compatible with **BT8390-SA** to mount above or below screens mounted on System X rails
- Integrated cable management
- Simple installation



Can be fitted to poles using B-Tech Accessory Collars



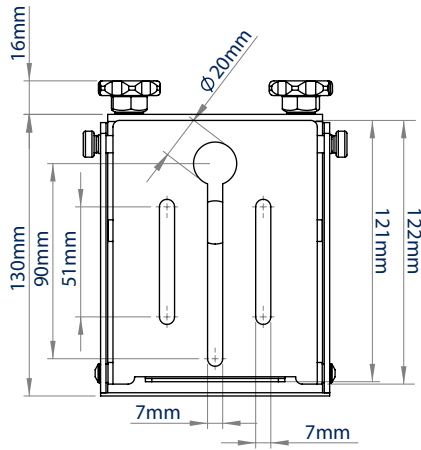
Compatible with BT8390-SA to mount above or below screens mounted on System X rails



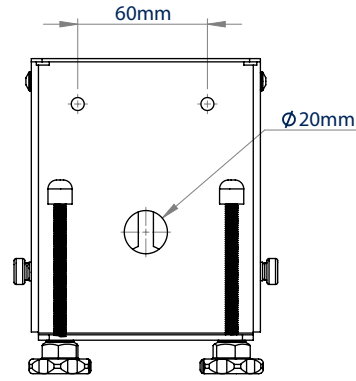
Shelf can be positioned flat or with a downward tilt up to +25°



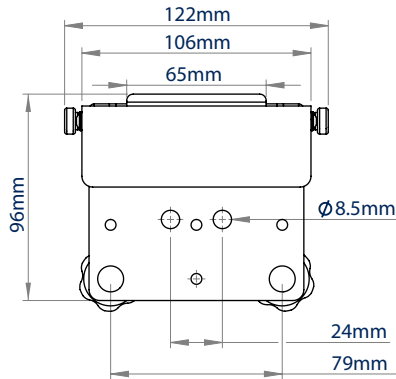
Integrated cable management



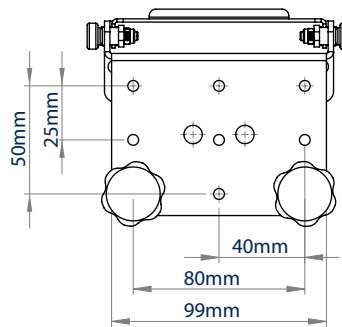
TOP VIEW



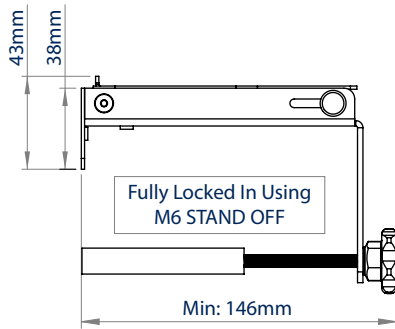
BOTTOM VIEW



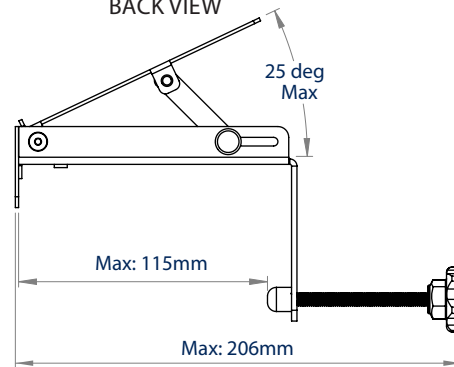
FRONT VIEW



BACK VIEW



SIDE VIEW - FLAT



SIDE VIEW - TILT

PACKING INFORMATION

COLOUR:	ORDER REF:	EAN CODE:	MASTER CARTON QTY:	INNER CARTON QTY:	MASTER CARTON WEIGHT:	MASTER CARTON CUBE:
Black	BT7866/B	5019318304118	6	N/A	6kg	0.029 cbm

ACCESSORIES AND RELATED PRODUCTS

BT8390-SA



Adjustable Accessory Mounting Arm allows mounted accessories to be positioned above or below the screen(s)

BT7863



Small AV Accessory Shelf can be mounted directly to walls and System X rails/columns, or to B-Tech accessory collars for pole mounting

BT7052



Ø50mm Accessory Collar allows a wide range of mounts and accessories to be fitted to Ø50mm poles

BT7841



Ø50mm 2-Piece Accessory Collar allows a wide range of mounts and accessories to be fitted to Ø50mm poles

© 2015 B-Tech Professional Design & Manufacturing Ltd. All rights reserved. This information is for informational purposes only and does not constitute an offer of any product. B-Tech Professional Design & Manufacturing Ltd. is not responsible for any damage or loss of data caused by the use of any product. B-Tech Professional Design & Manufacturing Ltd. is not responsible for any damage or loss of data caused by the use of any product. B-Tech Professional Design & Manufacturing Ltd. is not responsible for any damage or loss of data caused by the use of any product.