



B-TECH AV MOUNTS

SYSTEM X™

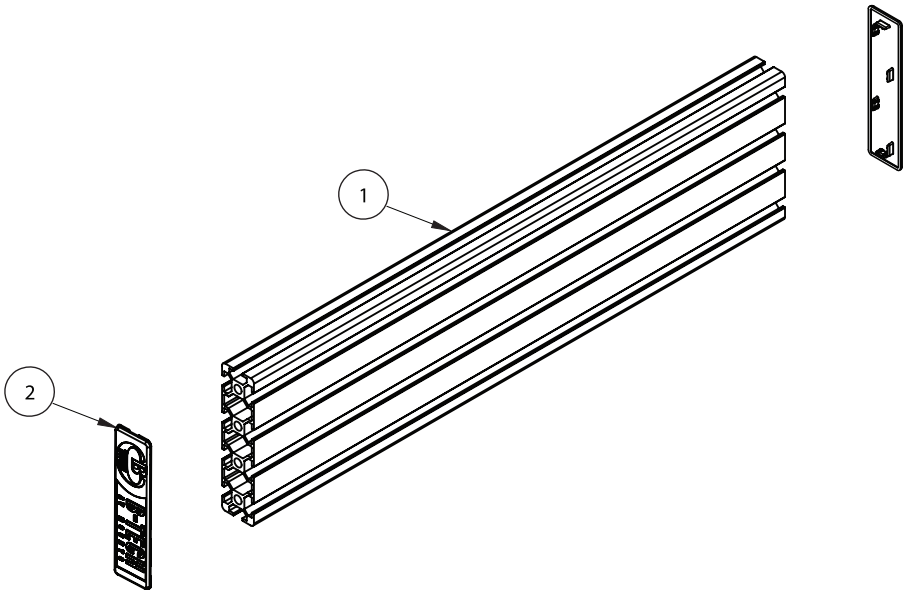
B-TECH AV MOUNTS

BT8390-050

HORIZONTAL MOUNTING RAIL LENGTH: 0.5M (20")



PARTS LIST



ITEM	DESCRIPTION	QTY
1	500mm MOUNTING RAIL	1
2	END CAP	2

Designed to work in conjunction with B-Tech's System X range



www.btechavmounts.com

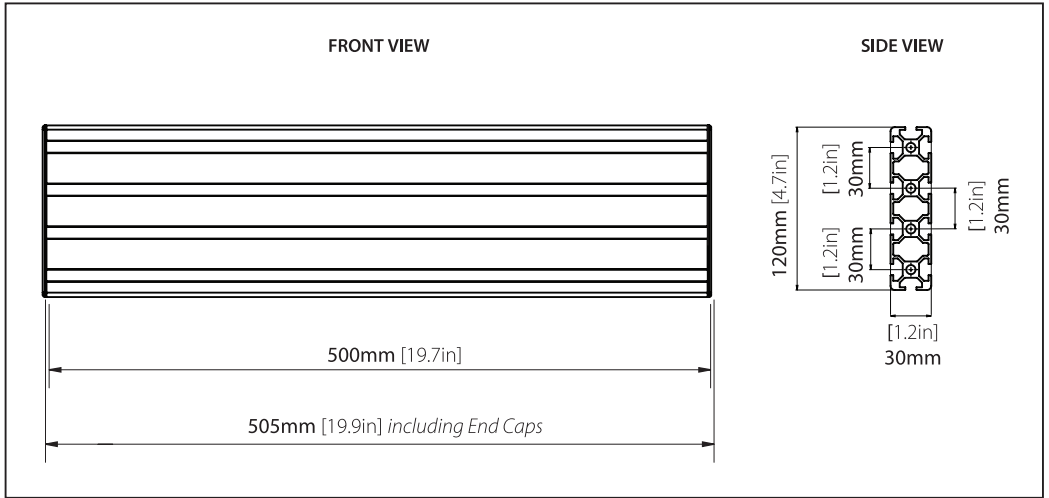


BT8390-050

HORIZONTAL MOUNTING RAIL
 LENGTH: 0.5M (20")



PRODUCT DIMENSIONS



CONTACT:
info@btechavmounts.com

©2023 B-Tech International Design & Manufacturing Ltd. All rights reserved.
 B-Tech AV Mounts is a division of B-Tech International Design & Manufacturing Ltd.
 B-Tech AV Mounts and the B-Tech logo are registered trade marks.
 All other brands and product names are trademarks of their respective owners.
 Photographs are for illustrative purposes only. E&OE.

AMA-BT8390-050-V1.2-0523-44 MADE IN THE P.R.C.

