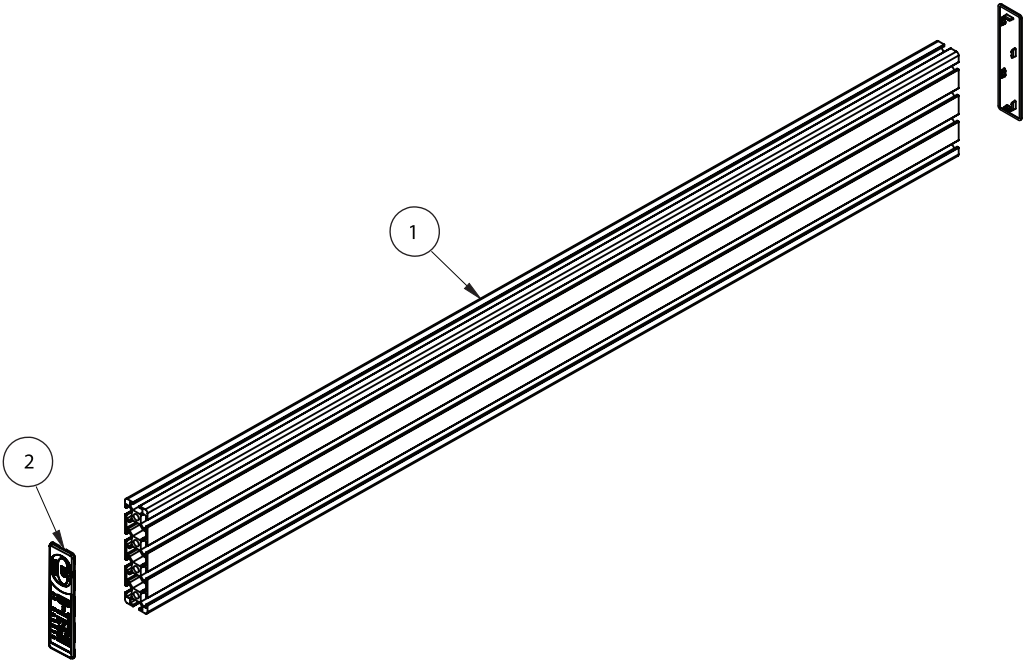


BT8390-150

HORIZONTAL MOUNTING RAIL
LENGTH: 1.5M (59")



PARTS LIST



ITEM	DESCRIPTION	QTY
1	1500mm MOUNTING RAIL	1
2	END CAP	2

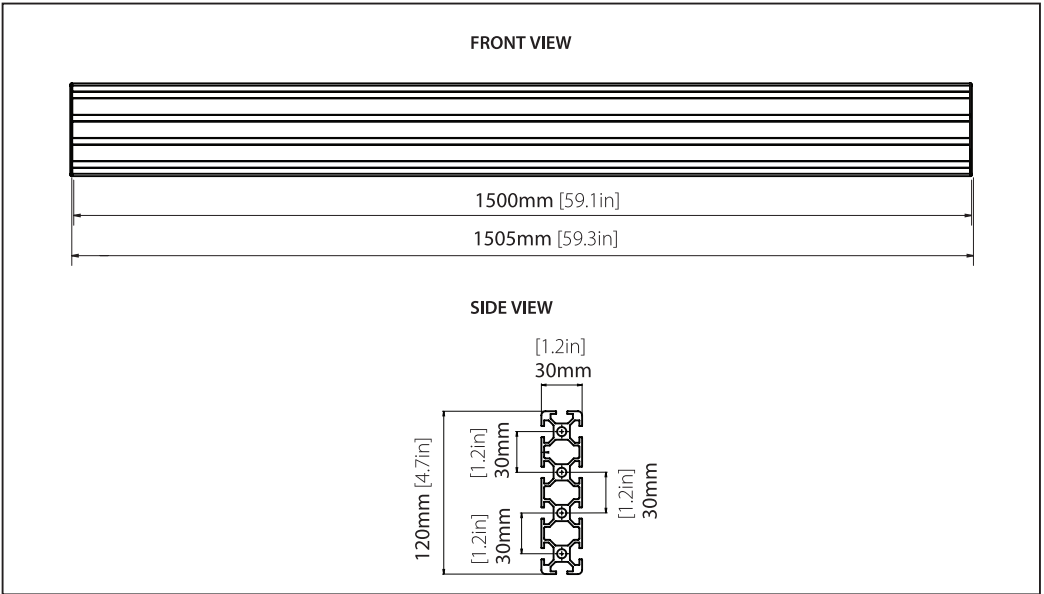
Designed to work in conjunction with B-Tech's System X range

BT8390-150

HORIZONTAL MOUNTING RAIL LENGTH: 1.5M (59")



PRODUCT DIMENSIONS



CONTACT:
info@btechavmounts.com

©2023 B-Tech International Design & Manufacturing Ltd. All rights reserved.
B-Tech AV Mounts is a division of B-Tech International Design & Manufacturing Ltd.
B-Tech AV Mounts and the B-Tech logo are registered trade marks.
All other brands and product names are trademarks of their respective owners.
Photographs are for illustrative purposes only. E&OE.

AMA-BT8390-150-V1.2-0423-44 MADE IN THE P.R.C.

