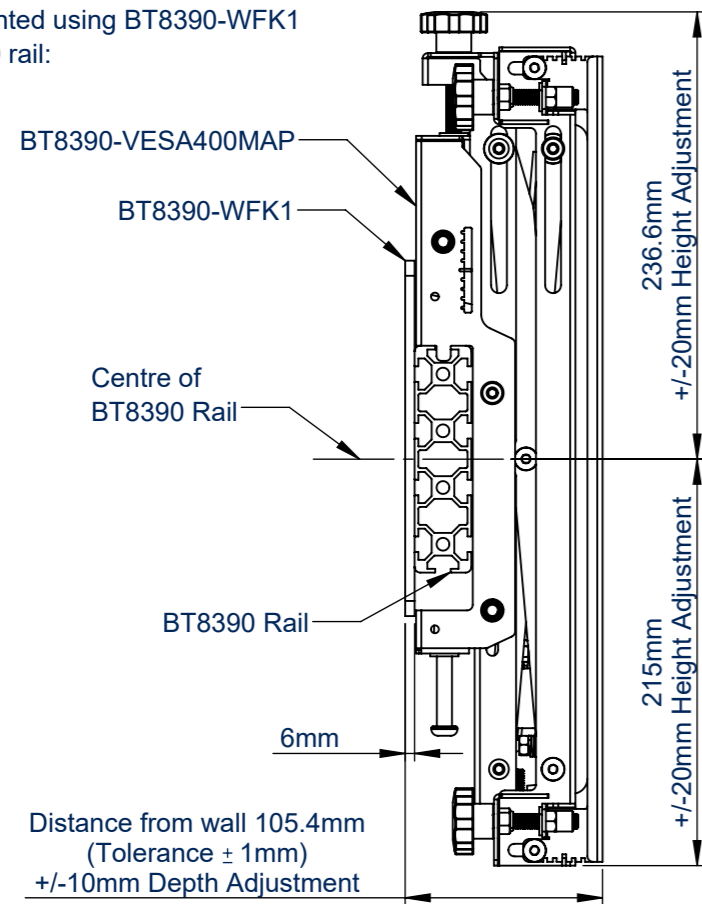
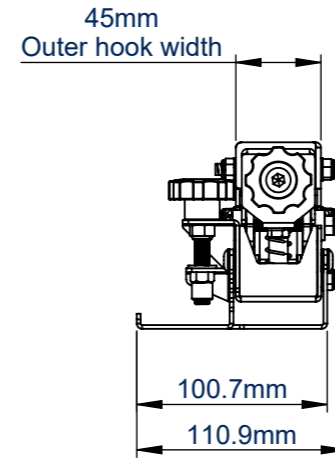
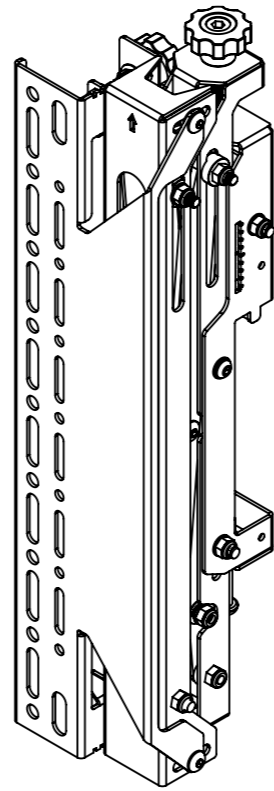


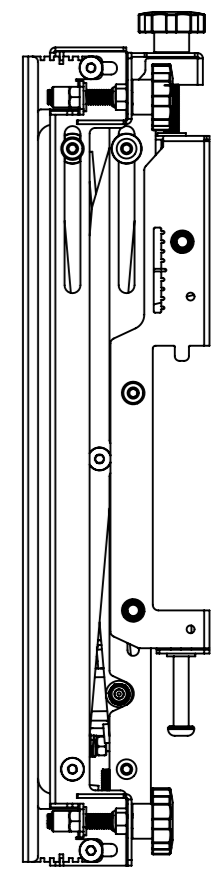
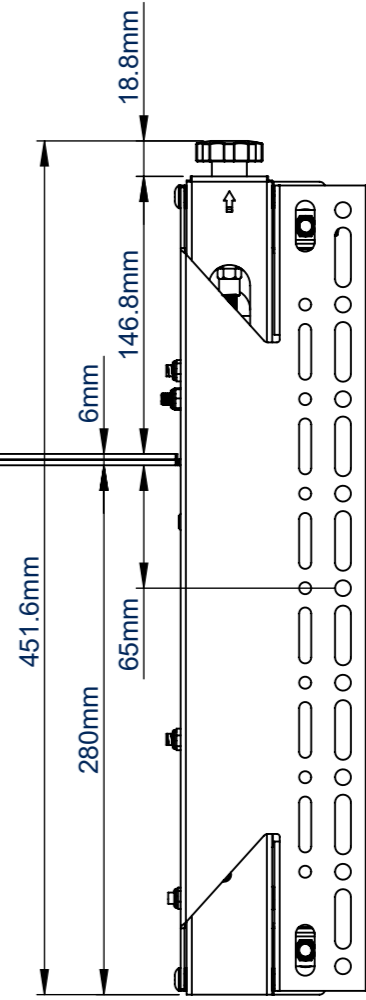
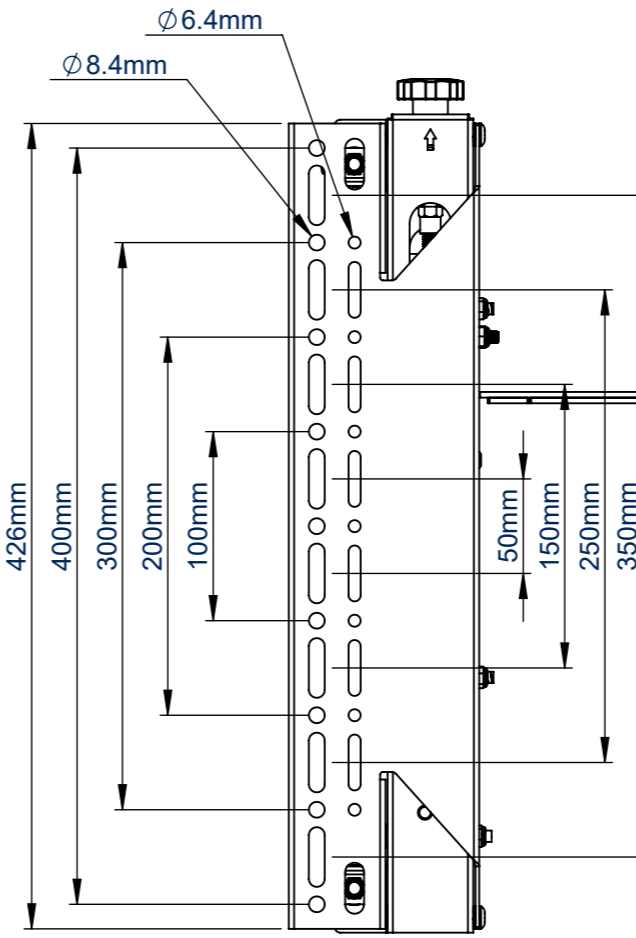
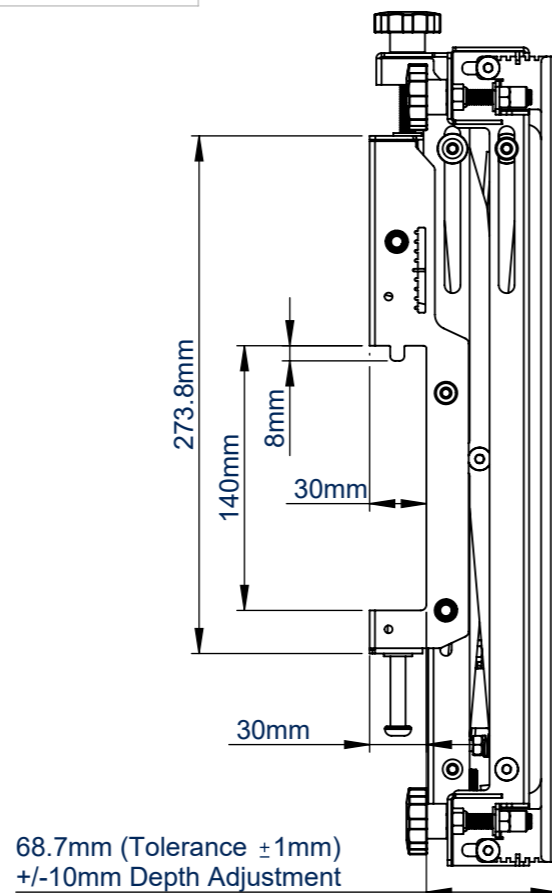
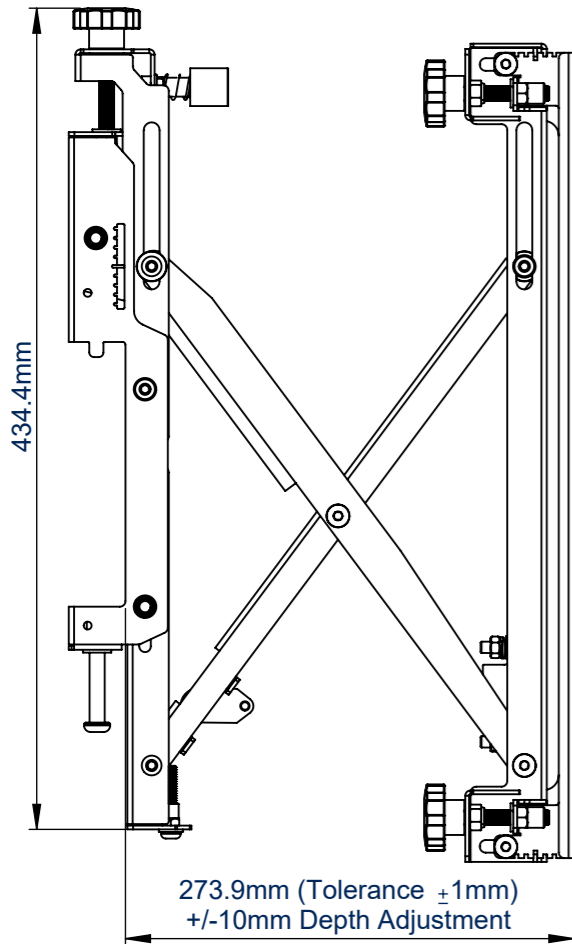
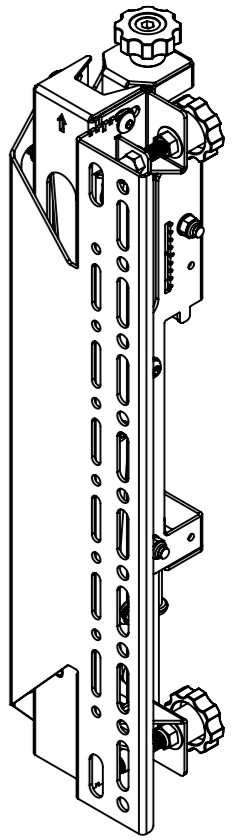
Wall mounted using BT8390-WFK1 & BT8390 rail:




Interface Arm - Left



Interface Arm - Right



B-Tech International Design & Manufacturing Limited Part of the B-Tech International Group of Companies		B-Tech No: BT8390-VESA400MAP
		Title: SYSTEM X - VESA 400 Pop-Out Interface Arms with Micro-Adjustment
 UNLESS OTHERWISE SPECIFIED DIMENSIONS ARE IN MILLIMETERS	Size: A3	Revision: R01
	Scale: 1:4	Date: 17/04/2019
	Sheet: 1 of 1	File Name: BTD-BT8390-VESA400MAP

B-Tech International Design and Manufacturing Limited makes no representation or warranties, express or implied, with respect to the reuse of the data provided herewith, regardless of its format or the means of its transmission. B-Tech International Design and Manufacturing Limited makes every effort to provide accurate information, however there is no guarantee or representation to the user as to the accuracy, currency, suitability or reliability of this data. The user assumes all risks associated with its use. B-Tech International Design and Manufacturing Limited assumes no responsibility for actual or consequential damage incurred as a result of any user's reliance on this data.