

# BT8390-VESA400T

## SYSTEM X™ INTERFACE ARMS WITH TILT FOR MEDIUM / LARGE SCREENS

Ideal for single row, multi-screen installations, these interface arms are designed to mount small to medium sized screens in a tilted position along System X horizontal mounting rails. The universal design is compatible with a variety of different screens and allows them to be mounted in either landscape or portrait orientations. Levelling screws on each interface arm provide post installation height adjustment and thumbwheels allow easy tool-less adjustment of the tilt angle up to 20°.

### SPECIFICATIONS


Recommended screen size	<b>39" - 75"</b>
Max load	<b>70kg</b>
VESA® & non-VESA fixing	up to <b>400mm*</b> (vertical dimension)
Tilt adjustment	up to <b>+20°</b> (increments of 5°)

### FEATURES

- Ideal for menu boards and other multi-screen installations
- 1** Tool-less thumbwheels for easy adjustment of the tilt angle
- 2** Safety screws help prevent unauthorised removal of screens
- 3** Simple 'hook-on' installation
- 4** Includes levelling screws to adjust the screen height
- Universal design compatible with most screens
- Suitable for landscape or portrait mounting
- Lateral adjustment - position arms anywhere along the length of the rail
- TÜV certified



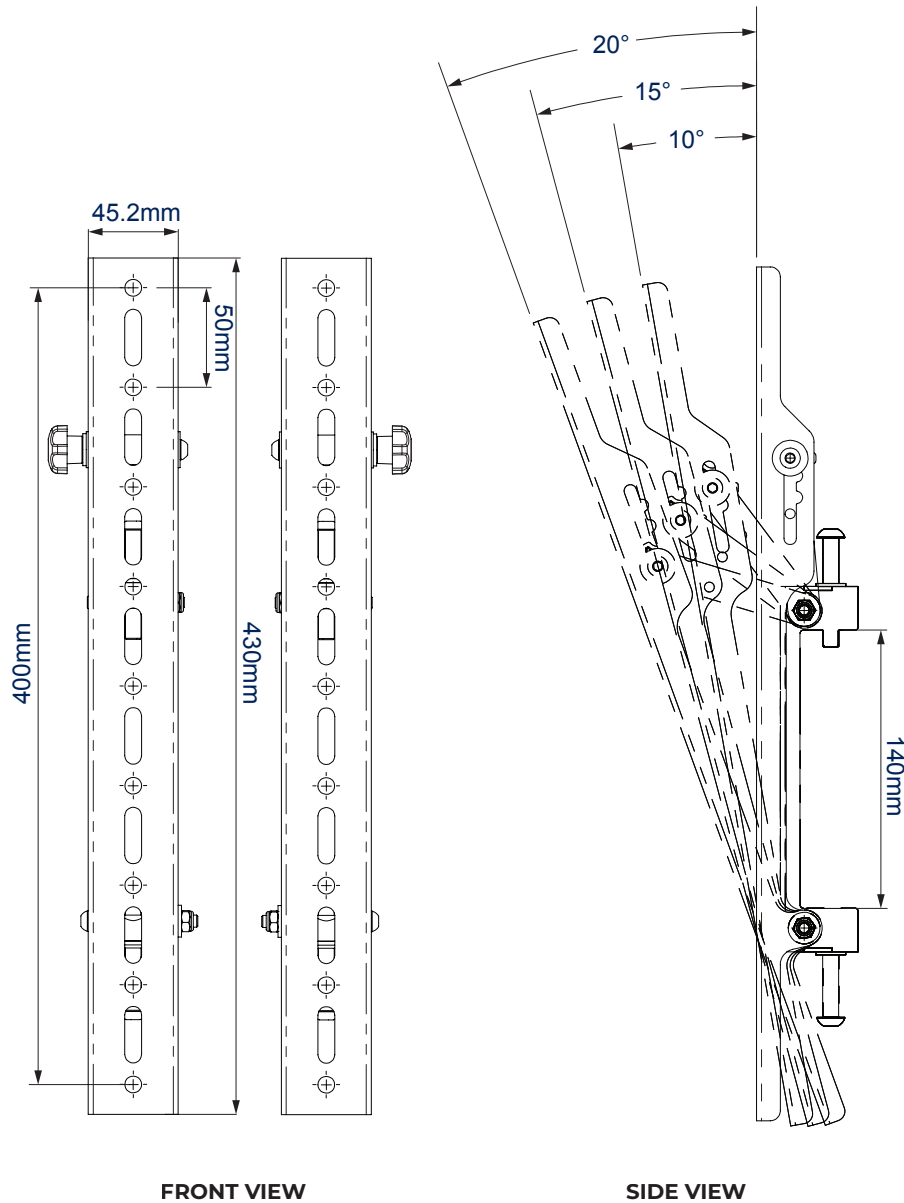
SYSTEM X™

RECOMMENDED MAX SCREEN	MAX LOAD	MAX VESA	POST INSTALL ALIGNMENT	TILT	TÜV CERTIFIED	QR CODE
75" 190cm	70kg	400		 20°		



\*The VESA specification of the BT8390-VESA400T refers to the vertical dimension only. All System X interface arms can be positioned as far along the rail as necessary.

# BT8390-VESA400T



FRONT VIEW

SIDE VIEW

## ORDERING INFORMATION

COLOUR	ORDER REF	EAN
Black	BT8390-VESA400T/B	5019318501234

## RELATED PRODUCTS

PRODUCT CODE	NAME	DESCRIPTION
BT7564	Interface Adapter Arms	Use with BT8390-VESA400T to increase the maximum vertical fixings to 600mm
BT8390	System X Mounting Rail	Mounting rails in multiple lengths designed to support a variety of interface arms
BT8390-WFK2	System X Wall Fixing Kit	Designed to mount BT8390 horizontal mounting rails to the wall
BT8390-VESA400F	System X Fixed Interface Arms	Alternative Interface Arms for solutions that don't require tilt function

© 2018 B Tech AV Mounts Co. Ltd. All rights reserved.  
 The information in this document is subject to change without notice. The B Tech name and the B Tech logo are registered trademarks of B Tech AV Mounts Co. Ltd.  
 B Tech AV Mounts Co. Ltd. is not responsible for any damage or loss of data caused by improper installation or mounting on unstable structures. Any reproduction or use without permission is prohibited.  
 Specification subject to change without notice. For more information, please contact B Tech AV Mounts Co. Ltd. at sales@btech.co.uk