

BT8390-VESA600F

UNIVERSAL INTERFACE ARMS

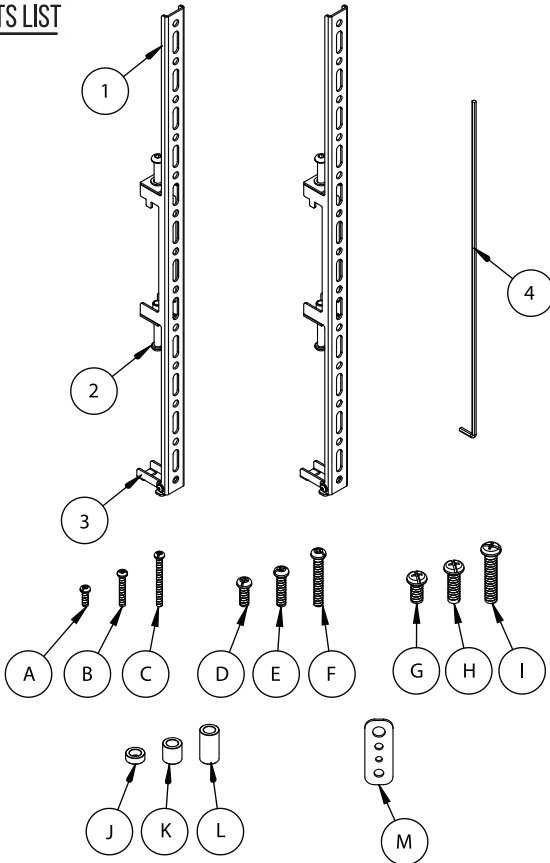
DESIGNED TO BE USED IN CONJUNCTION WITH B-TECH'S SYSTEM X RANGE



INSTALLATION GUIDE



PARTS LIST



ITEM	PART NAME	QTY
1	INTERFACE ARM	2
2	M8 x 55mm SCREW	4
3	KICK STAND	2
4	5AF HEX KEY	1
INTERFACE FIXING KIT		
A	M4 x 12mm SCREW	4
B	M4 x 25mm SCREW	4
C	M4 x 40mm SCREW	4
D	M6 x 16mm SCREW	4
E	M6 x 25mm SCREW	4
F	M6 x 40mm SCREW	4
G	M8 x 16mm SCREW	4
H	M8 x 25mm SCREW	4
I	M8 x 40mm SCREW	4
J	5mm SPACER	4
K	13mm SPACER	4
L	24mm SPACER	4
M	MULTIWASHER	4

INSTALLATION SAFETY INSTRUCTIONS



CAUTION: This product is intended for use only with the maximum weights indicated. Use with equipment heavier than the maximum indicated may result in instability causing possible injury.

B-Tech AV Mounts, it's distributors and dealers are not responsible for damage or injury caused by improper installation, improper use, modifications, installations over the specified weight capacity and/or failure to observe these safety instructions. In such cases, any warranty will expire.

It is recommended that this product should only be installed by a qualified professional / installer.

B-Tech AV Mounts does not claim any liability for any difficulties that may arise from the interpretation contained in these instructions. Failure to mount this product correctly may lead to serious injury and/or death.

Please check carefully to make sure there are no missing or defective parts - defective parts must never be used.

In the event of missing and/or defective parts, or technical questions, please contact an authorised dealer.

Pay careful attention to where this product is located, some locations are not suitable for installation. For indoor use only.

It is recommended that periodic inspections of the product are made as frequently as possible to ensure that safety is maintained.

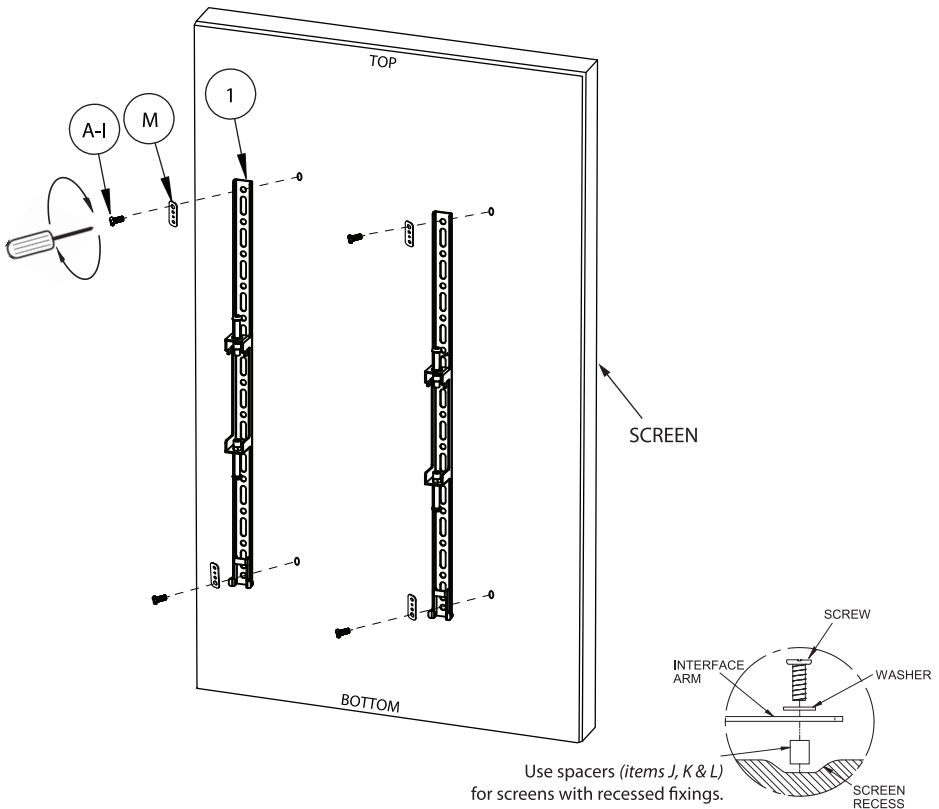
Please keep these instructions for future reference.

INSTALLATION INSTRUCTIONS

1. ATTACH INTERFACE ARMS TO SCREEN

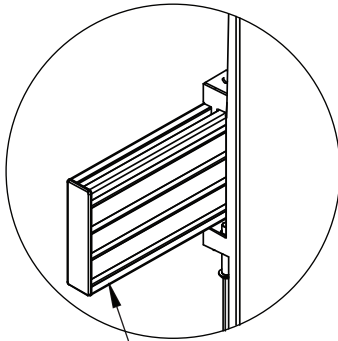
Fix *item 1* to the rear of the screen using *items A - M*.

Note: Ensure the arms are facing the correct way round and the same holes are used on both arms.

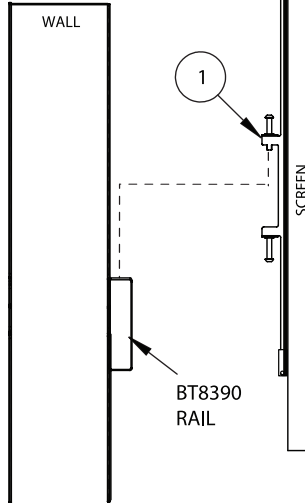


2. HOOK SCREEN ONTO RAIL

Use *item 1* to hook the screen onto a BT8390 rail (supplied separately).



BT8390
RAIL

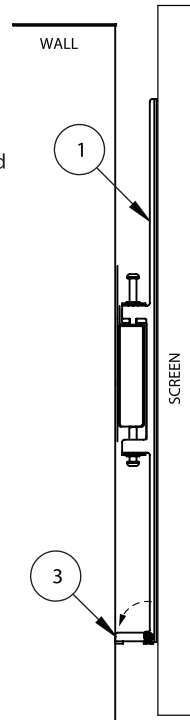
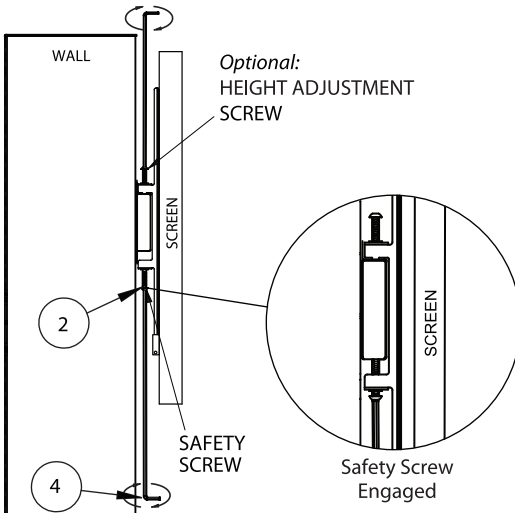


3. LOCK SCREEN TO RAIL

Tighten the safety screws (*item 2*) on the bottom of *item 1* securing the screen to the rail.

Optional: If necessary, use the height adjustment screws on top of *item 1* to level the screen.

Optional: Flip down *item 3* at the bottom of *item 1* to ensure a level and flat-to-the-wall installation of the screen.

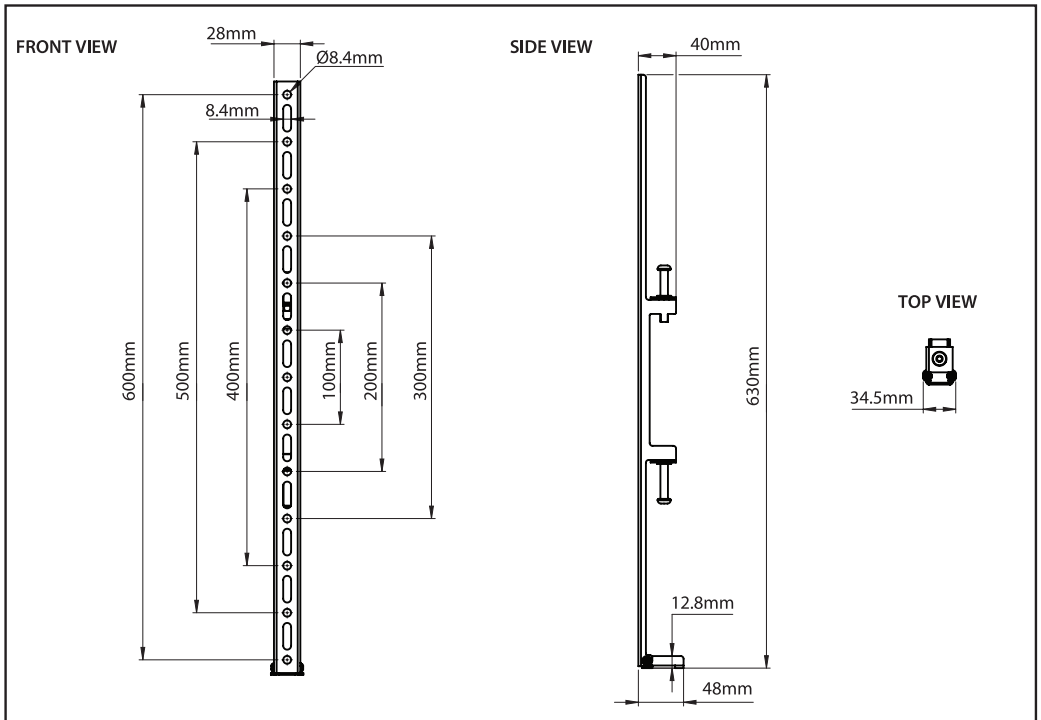


BT8390-VESA600F

UNIVERSAL INTERFACE ARMS



PRODUCT DIMENSIONS



CONTACT:
info@btechavmounts.com

©2020 B-Tech International Design & Manufacturing Ltd. All rights reserved.
 B-Tech AV Mounts is a division of B-Tech International Design & Manufacturing Ltd.
 B-Tech AV Mounts & the B-Tech logo are registered trade marks.
 All other brands and product names are trademarks of their respective owners.
 Photographs are for illustrative purposes only. E&OE.

AMA-BT8390-VESA600F-V1-0720-110 MADE IN VIETNAM

