

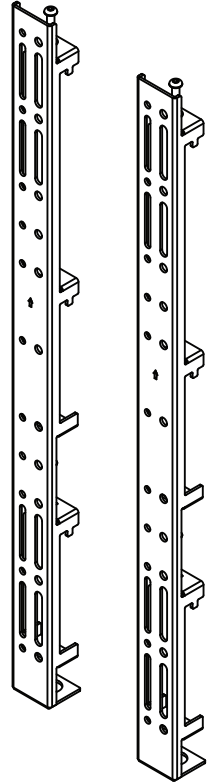


B-TECH AV MOUNTS™

BT8390-VESA800F

UNIVERSAL INTERFACE ARMS
FOR XL SCREENS

INSTALLATION INSTRUCTIONS



SPECIFICATIONS

- Can be mounted across single or dual BT8390 mounting rails
- Recommended screen size (landscape) 72" and over
- Recommended screen size (portrait) 42" and over
- Max load (single rail mounting): 70kg (154lbs)
Max load (twin rail mounting): 200kg (440lbs)
- Suitable for VESA® & non-VESA fixings up to 800mm (vertical dimension)



SINGLE RAIL

DUAL RAIL

INSTALLATION SAFETY INSTRUCTIONS



CAUTION: This product is intended for use only with the maximum weights indicated. Use with equipment heavier than the maximum indicated may result in instability causing possible injury.

B-Tech AV Mounts, it's distributors and dealers are not responsible for damage or injury caused by improper installation, improper use, modifications, installations over the specified weight capacity and/or failure to observe these safety instructions. In such cases, any warranty will expire.

It is recommended that this product should only be installed by a qualified professional / installer.

B-Tech AV Mounts does not claim any liability for any difficulties that may arise from the interpretation contained in these instructions. Failure to mount this product correctly may lead to serious injury and/or death.

Please check carefully to make sure there are no missing or defective parts - defective parts must never be used.

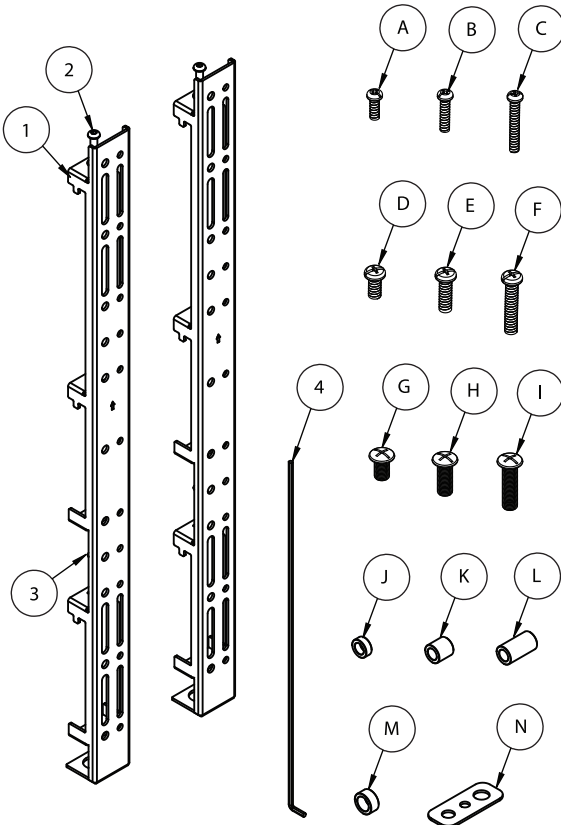
In the event of missing and/or defective parts, or technical questions, please contact an authorised dealer.

Pay careful attention to where this product is located, some locations are not suitable for installation. For indoor use only.

It is recommended that periodic inspections of the product are made as frequently as possible to ensure that safety is maintained.

Please keep these instructions for future reference.

PARTS LIST



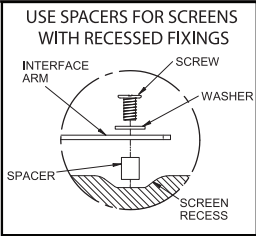
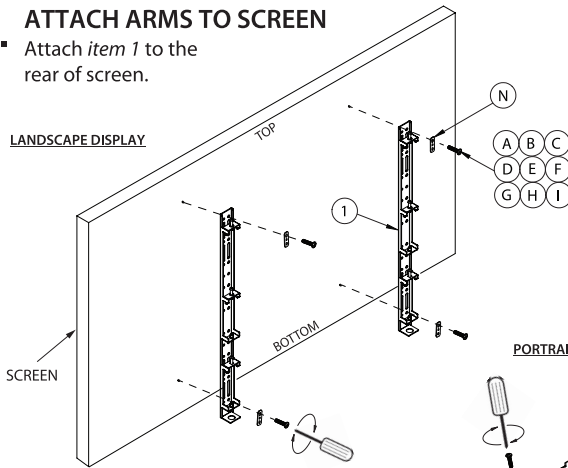
ITEM	DESCRIPTION	QTY
1	INTERFACE ARM	2
2	M8 x 55mm HEX SCREW	4
3	M8 x 70mm HEX SCREW	4
4	5AF x L550mm HEX KEY	1
SCREEN FIXING KIT		
A	M6 x 16mm CROSS SCREW	4
B	M6 x 25mm CROSS SCREW	4
C	M6 x 40mm CROSS SCREW	4
D	M8 x 16mm CROSS SCREW	4
E	M8 x 25mm CROSS SCREW	4
F	M8 x 40mm CROSS SCREW	4
G	M10 x 16mm CROSS SCREW	4
H	M10 x 25mm CROSS SCREW	4
I	M10 x 40mm CROSS SCREW	4
J	ID8.1 T5mm SPACER	4
K	ID8.1 T13mm SPACER	4
L	ID8.1 T24mm SPACER	4
M	ID10.3 T7mm SPACER	4
N	MULTIWASHER	4

Designed to work in conjunction with B-Tech's System X range

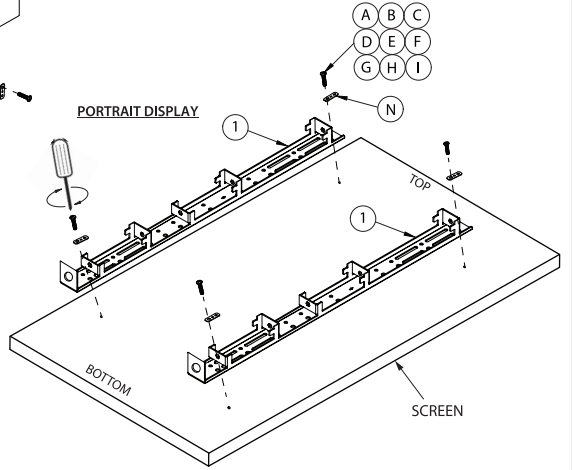
1. ATTACH ARMS TO SCREEN

Attach *item 1* to the rear of screen.

LANDSCAPE DISPLAY



PORTRAIT DISPLAY



72"+

Suitable for screens over 72" when mounting in a landscape display. Min. height of screen when mounting in landscape: 890mm

42"+

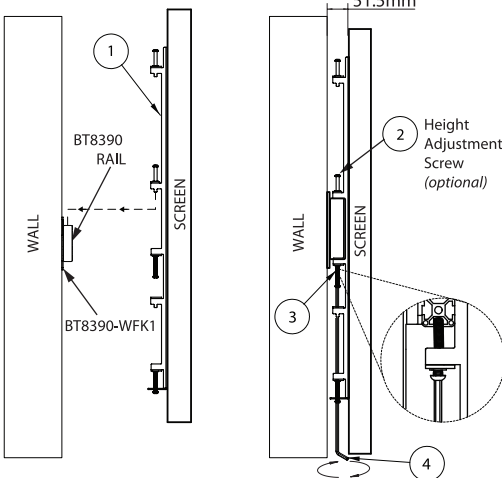
Suitable for screens over 42" when mounting in a portrait display. Max. height of screen when mounting in portrait: 1780mm

2. HOOK SCREEN ONTO RAIL(S)

Hook the screen onto BT8390 mounting rail(s) and tighten *item 3* on the bottom of *item 1* to secure screen to rail. If required, adjust *item 2* for screen height alignment.

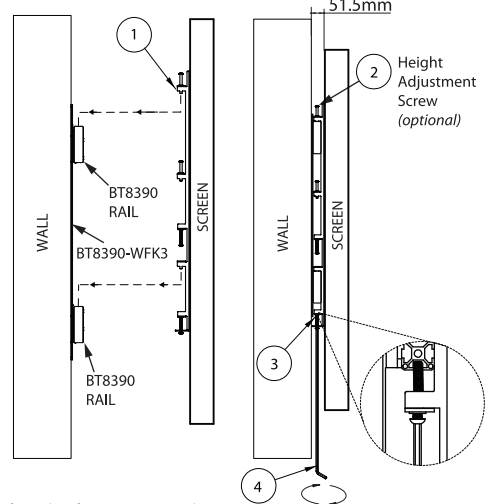
SINGLE RAIL MOUNTING

Use middle hook on interface arms



TWIN RAIL MOUNTING

Use top and bottom hooks on interface arms



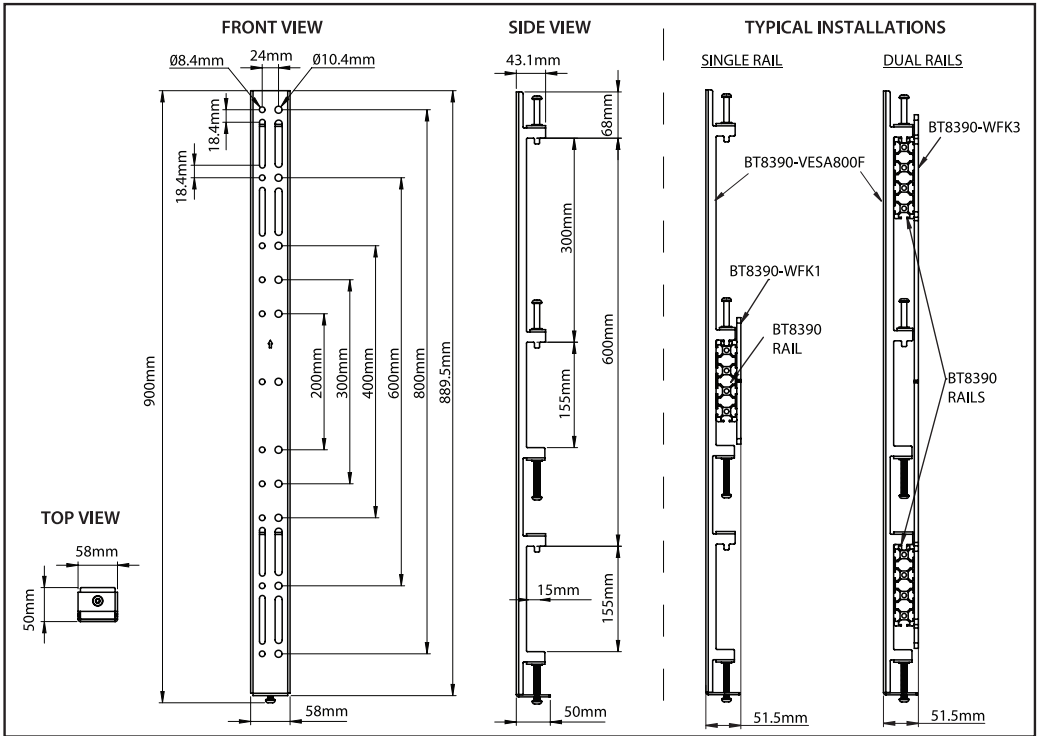
Note: Height adjustment function may be affected if weight of screen is over 50kg



BT8390-VESA800F

UNIVERSAL INTERFACE ARMS FOR XL SCREENS

PRODUCT DIMENSIONS



CONTACT:
info@btechavmounts.com

©2021 B-Tech International Design & Manufacturing Ltd. All rights reserved.
 B-Tech AV Mounts is a division of B-Tech International Design & Manufacturing Ltd.
 B-Tech AV Mounts and the B-Tech logo are registered trade marks.
 All other brands and product names are trademarks of their respective owners.
 Photographs are for illustrative purposes only. E&OE.

AMA-BT8390-VESA800F-V2-0121-45 MADE IN VIETNAM

