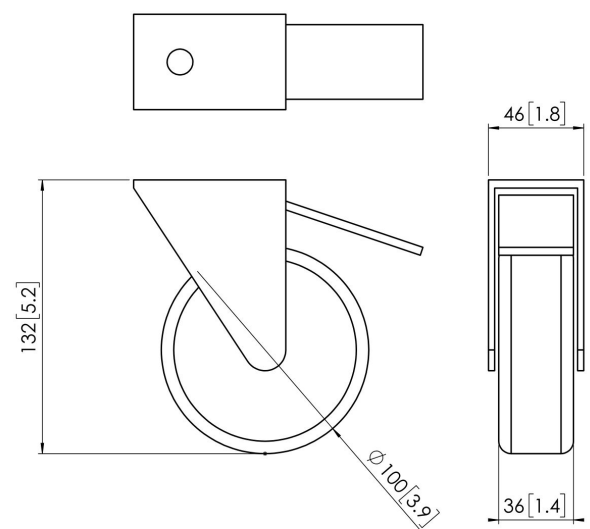


PFA 9114 Wheels heavy duty

Set of 4 large heavy duty swivel castor. These castors can be used to replace the standard wheels on the PFT85xx trolley frames, PFT2520 trolley and all Vogel's height adjustable motorized trolleys.





PFA 9114 Wheels heavy duty



Specifications

Article number (SKU)	7291144
Colour	Silver
EAN single box	8712285324062
Guarantee	5 years
Max. weight load (kg/Lbs)	160 / 352.74

VOGEL'S HOLDING BV (©)

All rights reserved.
Subject to printing errors,
technical and price
amendments.

Date: 2023-01-14