



# AS-10ST

## SURFACE MOUNT SUBWOOFER

### TECHNICAL DATA SHEET

#### PRODUCT SUMMARY

The AtlasIED AS-10ST is a high-performance direct radiating subwoofer, designed to extend low frequency response, and increase system headroom in conjunction with AtlasIED AS Series of full range loudspeakers. Ideal for applications where durability, modern, understated aesthetics, and outstanding sonic performance are prerequisites.

Featuring a high excursion weather treated 10" woofer with highly damped butyl rubber surround, the AS-10T delivers consistent impactful bass.

Complimenting the form factor of AS Series full range loudspeakers, the AS-10ST is available in textured black or white. The outstandingly durable and scuff resistant, high impact ABS enclosure with UV inhibitor is weather resistant (IP55), for consistent performance in adverse conditions, both indoors and out.

Safe and effective Installation of the AS-10ST is made simple by way of the included slip free yoke mount.

Equipped with a low insertion loss 200W transformer for 70V or 100V distributed applications, wattage tap selection and low impedance bypass is easily configurable via a rear mounted slide selector switch with security cover.

For the most discerning designers and integrators, a complete suite of EASE™ (including compatibility with EASE Focus), CF2, 3D CAD, and BIM/Revit families are available for download at AtlasIED.com.

#### KEY FEATURES

- Minimalistic and clean industrial design for sensitive architectural constraints
- Effective foreground coverage for systems with space limitations
- Ultra-low insertion loss 200W transformer for dynamic performance in distributed systems
- High impact ABS enclosure with UV inhibitor
- IP55 rated
- Slip-Free yoke mount supplied.
- Advanced tunings available via AtlasIED Atmosphere DSP platform

#### APPLICATIONS

- Bars & Restaurants
- Hotels, Casinos & Cruise Ships
- Retail
- Contemporary Houses of Worship
- Education
- Themed Attractions
- Transportation
- Live Music Clubs



# AS-10ST

## SURFACE MOUNT SUBWOOFER



### TECHNICAL DATA SHEET

### AUDIO SPECIFICATIONS / PERFORMANCE

SYSTEM	AS-10ST
Type	Direct Radiating Subwoofer
Frequency Range (-10dB) <sup>1</sup>	34Hz <sup>6</sup> -800Hz
Frequency Response (+/- 3dB) <sup>1</sup>	43Hz-600Hz
System Sensitivity (1W @ 1m) <sup>2</sup>	93dB
Nominal Coverage Angle (HxV -6dB)	Omnidirectional
<b>POWER HANDLING<sup>3</sup></b>	
Average	300W
Programme	600W
Peak	1200W
Recommended Amplifier Power	600W @ 4 Ohms
Nominal Impedance	4 Ohms (Min 4.9 Ohms)
<b>RATED MAXIMUM SPL<sup>4</sup></b>	
Average	118dB
Peak	124dB
With Max. Transformer Tap - Average	116dB
Transformer Taps- via slide selector switch	200W, 100W, 50W ( 25W 70V) & Low Z operation
Directivity Index (dB) <sup>5</sup>	N/A
<b>TRANSDUCERS</b>	
Low Frequency	10" (250mm) Weather Treated Paper, Butyl Rubber Surround
High Frequency	
<b>PHYSICAL</b>	
Enclosure	High Impact ABS UL-V0
Grille Material	Aluminum, Powder Coated
Connectors	Euroblock with screw connections and loop output
Safety Agency Rating	CE
Ingress Protection	IP55
Operating Temperature	-40°F to 140°F (-40° C to 60° C)
Environmental Testing	Conforms to MIL-STD-810 for salt spray & humidity
Included Accessories	Slip Free U-Bracket
Optional Accessories	
Packed Quantity	1
Product Dimensions (HxWxD)	23.4" x 12.25" x 11.74" (594.4mm x 311.2mm x 298.2mm)
Shipping Dimensions (HxWxD)	28.7" x 18.9" x 18.1" (73cm x 48cm x 46cm)
Net Weight - (per unit)	35.27 lbs (16.0kg)
Shipping Weight	22.3kg (49.16 lbs)

Notes:

1 - Average over stated bandwidth, full space

2 - Unweighted pink noise input, measured at 1 meter on axis

3 - Long term power handling capacity as defined in EIA - 426B test

4 - Calculated from rated noise power and sensitivity

5 - 1k-10kHz average

6 - Recommended High-Pass (24dB/Oct)

A full range of measurements, performance data, Ease™ and CLF Data can be downloaded from [www.atlasied.com](http://www.atlasied.com).

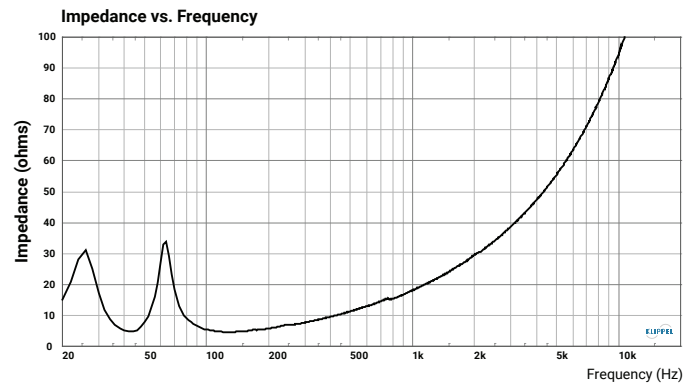
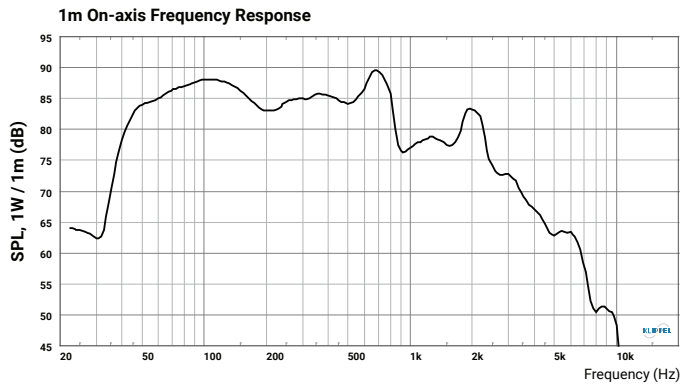
# AS-10ST

SURFACE MOUNT SUBWOOFER



## TECHNICAL DATA SHEET

### PERFORMANCE MEASUREMENTS



# AS-10ST

## SURFACE MOUNT SUBWOOFER



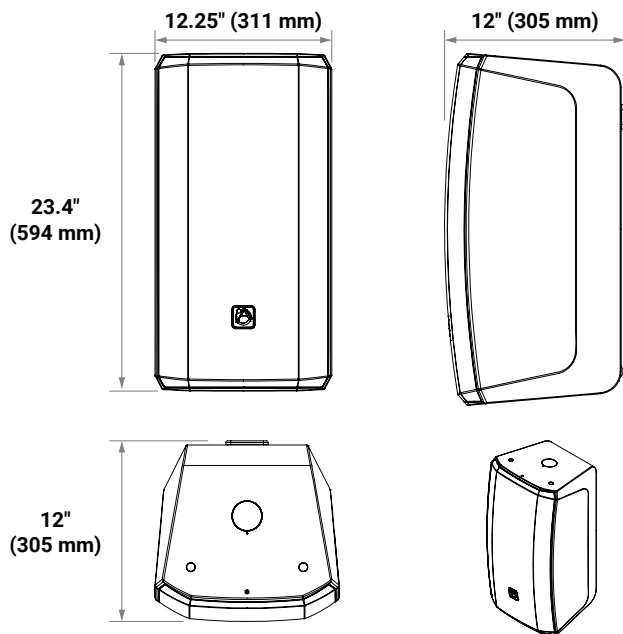
### TECHNICAL DATA SHEET

#### DIMENSIONAL DRAWINGS

##### PRODUCT DIMENSIONS

*Without Bracket*

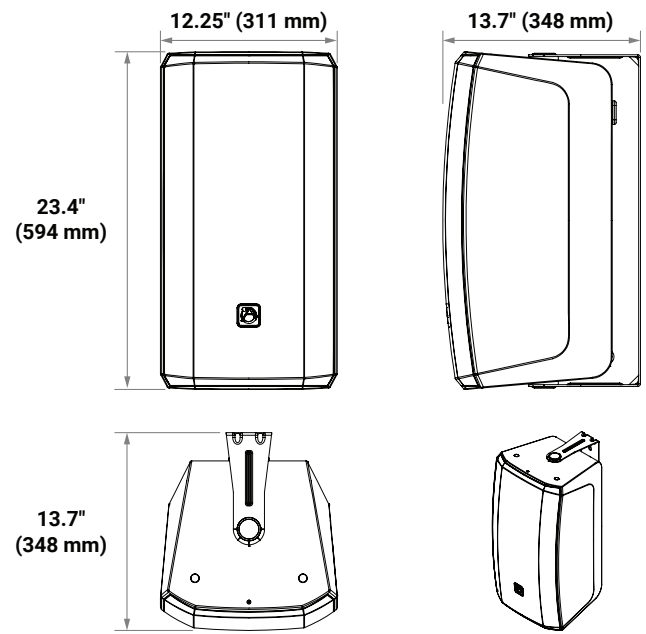
Height	23.4" (594mm)
Width	12.25" (311mm)
Depth	12" (305mm)



##### PRODUCT DIMENSIONS

*With Bracket*

Height	23.4" (594mm)
Width	12.25" (311mm)
Depth	13.7" (348mm)



# AS-10ST

## SURFACE MOUNT SUBWOOFER



### TECHNICAL DATA SHEET

#### ARCHITECT AND ENGINEER SPECS

The loudspeaker shall be of a bass reflex loaded surface-mount design with a 200W low insertion loss 70/100V transformer for use in constant voltage distributed lines. A high excursion 10-inch weather treated paper cone woofer with butyl rubber surround shall be housed in a proprietary injection molded ABS, UV fade resistant enclosure. The enclosure shall exceed IEC60529 IP-55 ratings for dust and splash resistance, and Mil STD 810G for salt and humidity. Incorporated is a sealed input panel cover, and powder-coated aluminum grille. The loudspeaker color shall be either RAL 9016 (white) or RAL (9017) black. The unit shall ship with a slip free u-bracket that is powder coated in the same color as the enclosure.

The loudspeaker shall comply with the following safety standards; CE.

The loudspeaker shall meet the following performance specifications: On-axis system frequency range shall be 34 Hz to 800 kHz (-10 dB). The broadband sensitivity shall be 93 dB (2.83 V at 1m) SPL in full-space environment with recommended high-pass protection. The long-term power handling rating shall be 300W as defined in EIA-426B. The maximum continuous output shall be 118 dB SPL and the maximum peak output shall be 124 dB SPL. The nominal coverage pattern shall be essentially omnidirectional over the passband. The transformer shall have power taps 200W, 100W, 50W (25W 70V), plus an 8-ohm bypass, selectable using a slide switch on the rear of the enclosure. The loudspeaker Euroblock input connections shall allow for direct connection to 70-volt, 100-volt, or low-impedance amplifiers.

The loudspeaker outer dimensions shall be 23.4" x 12.25" x 11.74" (594.4mm x 311.2mm x 298.2mm) and the unit net weight shall be 35.27 lbs (16.0kg)

The warranty shall be 5 years. The loudspeaker shall be the AtlasIED AS-10ST surface mounted subwoofer loudspeaker.

©2024 Atlas Sound LP. The Atlas "Circle A" Soundolier, and Atlas Sound are trademarks of Atlas Sound LP. IED is a Registered Trademark of Innovative Electronic Designs LLC. All rights reserved. All other Trademarks are property of their respective owners. No endorsement is implied. Due to continual product development, specifications are subject to change without notice. AT3007576 RevB 9/24